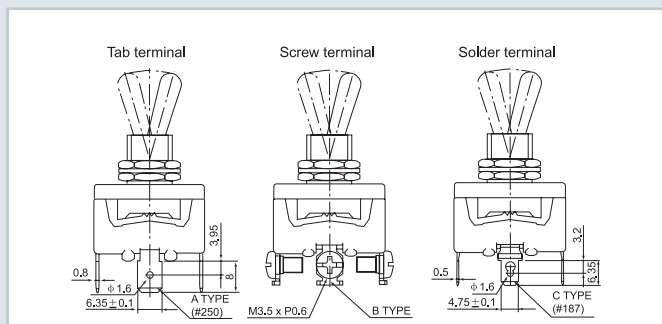


C5 Toggle Switch



Characteristic

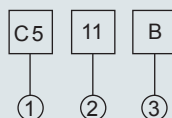
Contact resistance	15MΩ max. (initial)
Insulation resistance	100MΩ above (500VDC) under 500VDC
Dielectric strength	2000VAC, 50/60Hz for 1minute
Vibration	10 55Hz, 1.5mm double amplitude
Ambien temperature	-10°C~+80°C (With no icing)
Humidity	85% RH max.
Life	Mechanical: 500,000 operations/min. Electrical: 100,000 operations/min.



Features

- The current has 10A and 15A
- Movement way has xed type and auto-return type (both single-throw and double-throw can return)
- The terminal block has screw terminal and solder terminal (tab terminal also can be used)
- Rainproof cap, water-proof and oil-proof, it is suitable for full series products
- Mounting hole: ϕ 12mm

Model Designations



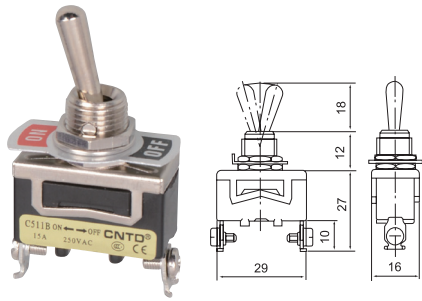
Items	Code	Description
Type	CO	10A 250VAC
	COR	10A 250VAC Spring return
	C5	15A 250VAC
	C5R	15A 250VAC Spring return
Contact	11	Single pole single throw ON-OFF
	12	Single pole double throw ON-ON
	13	Single pole double throw (central OFF)ON-OFF-ON
	131	Single pole double throw (central OFF single return)ON-OFF-ON
	21	Double pole single throw ON-OFF
	22	Double pole double throw ON-ON
	23	Double pole double throw (central OFF)ON-OFF-ON
Terminal	A	ab terminal(#250)
	B	Screw terminal
	C	Solder terminal(#187)
	231	Double pole double throw (central OFF single return)ON-OFF-ON

Ratings

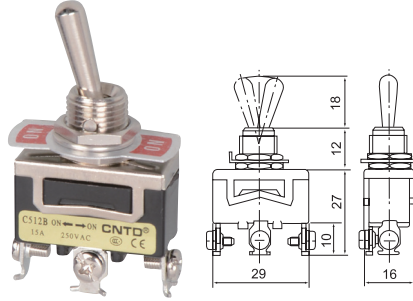
Load	Type	AC Rating	DC Rating
Resistance Load	CO	10A 250V 15A 125V	0.4A 250V 0.8A 125V
	C5	15A 250V 20A 125V	0.5A 250V 0.9A 125V
Inductive Load	CO	10A 250V 15A 250V	0.2A 250V 0.4A 125V
	C5	15A 250V 20A 125V	0.3A 250V 0.5A 125V 15A
Lamp Load	CO	300W 100V 500W 200V	30V
	C5	400W 125V 800W 250V	-
Motor Load	CO	200W 125V 300W 250V	7A 30V
	C5	400W 125V(single phase)	-
	CO	550W 250V(three phase)	-
	C5	750W 250V(three phase)	-

Appearance and Dimension

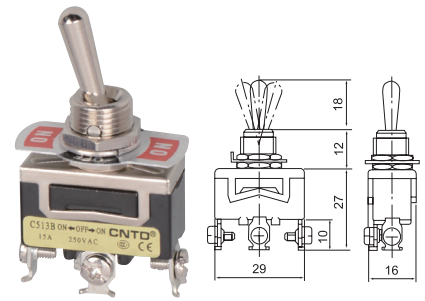
C511B
C5R11B



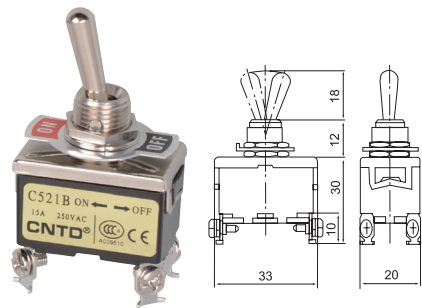
C512B
C5R12B



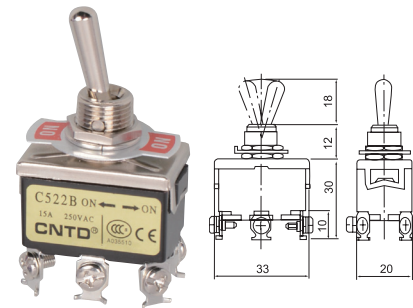
C513B
C5R13B



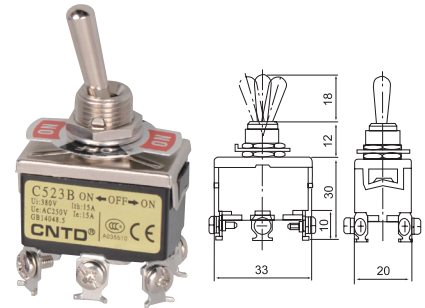
C521B
C5R21B



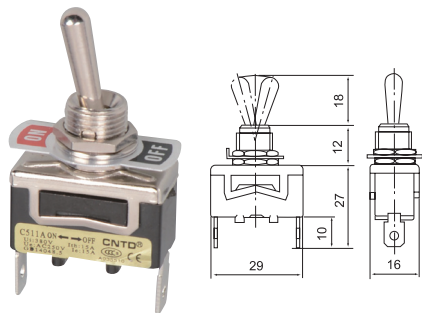
C522B
C5R22B



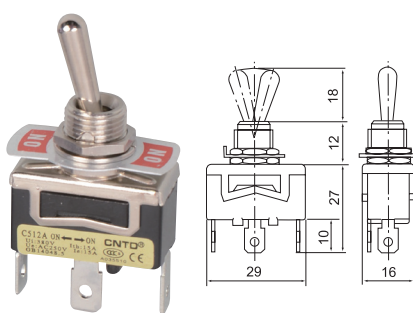
C523B
C5R23B



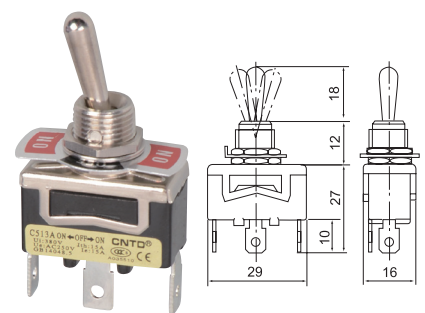
C511A
C5R11A



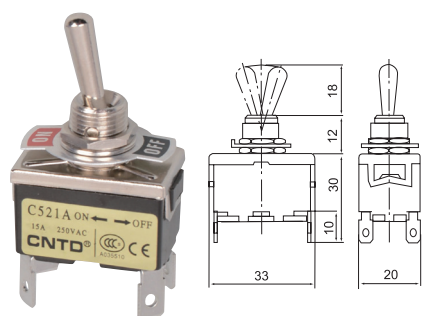
C512A
C5R12A



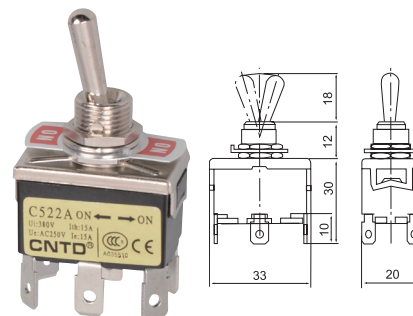
C513A
C5R13A



C521A
C5R21A



C522A
C5R22A



C523A
C5R23A

