

Actuators available

Direct movement



A
Steel plunger



A/S1
Steel plunger with rubber gasket



B
Steel roller plunger



C
Thermoplastic roller lever, side actuation



C/S1
Thermoplastic roller lever, with rubber gasket, side actuation



D
Thermoplastic roller lever, vertical actuation



D/S1
Thermoplastic roller lever, with rubber gasket, vertical actuation



R
Reversible, adjustable thermoplastic roller lever

Angular movement



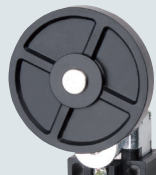
E-E/RA
Side rotary lever with plastic or steel roller



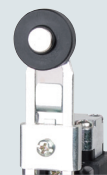
I-I/RA
Offset side rotary lever with plastic or steel roller



E/50
Side rotary lever with rubber roller 50 dia.



I/50
Side rotary bent lever with rubber roller 50 dia.



F
Side rotary adjustable lever with plastic roller



F/50
Side rotary adjustable lever with rubber roller 50 dia.

Multi-directional movement



G/H
Side rotary adjustable plastic glass fiber, G, aluminum, H, rod 6 dia.



Q
Ceramic roller lever



IS
Offset side rotary lever with plastic or steel roller



L
Flexible rod



LP
Flexible rod with plastic terminal



LP
Flexible rod with metal terminal

General feature

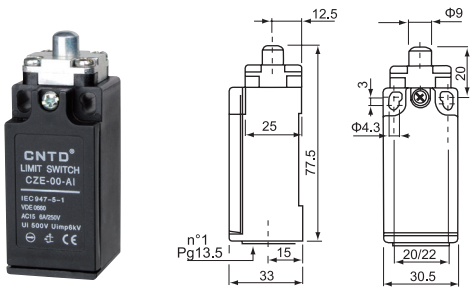
Operating frequency		operat./sec (Hz)	1
Insulation resistance	500 V DC	MΩ	100
Dielectric strength	50/60 Hz per 1*	V AC	2500
Rated insulation voltage	Ui IEC947-5-1	V AC	500
Rated thermal current	Ithe IEC947-5-1	A	10
Rated operating current	IEC 947-5-1/EN60947-5-1		
	Category AC15	le	24V
	A300		A
			125V
			A
			230V
		A	4
		A	3
	Category DC13	le	24V
	Q300		A
			48V
			A
			120V
		A	1
		A	0.4
		250V	
Contact resistance	IEC255-7 cat.3	initial value	MΩ
Short circuit protective devices	IEC269(IEC947-5-1)		A
	gl or gG type fuse		
Rated conditionals short circuit current	IEC947-5-1		A
Pollution degree	IEC947-5-1		3
Protection degree	EN 60529		IP
Protection against electric shock		plastic	class
		metal	class
			II
			I
Vibration resistance	IEC68-2-6		mm
Shock resistance	IEC68-2-27	11 ms	g
Mechanical life			cycles min
Electrical life	at 250VAC 6A with resistance load $\cos \beta = 1$		cycles min
	250VAC 6A $\cos \beta = 1$		500.000
	at 250VAC 6A with resistance load $\cos \beta = 0.4$		cycles min
	250VAC 6A $\cos \beta = 0.4$		500.000
Distance between contacts	snap action type		mm
	low action type		mm
Terminals	type		Screw with combined notch and retractable plate
			(notch Ph. size 1)
	screw		M
	protection degree		IP
	material		Steel class 8.8/Galvanized
	Max. screw tightening torque		N cm (kg cm)
			120(12, 24)
	max connecting capacity	rigid cable	mm ²
		flexible cable	mm ²
			2 × 1, 5
			2 × 1, 5
	with prod terminal		mm ²
			1 × 1, 5
	terminal numbering		In accordance with EN50013
Conduit / connector size	M20x1.5 PG13.5		Standard M20x1.5

Contact block

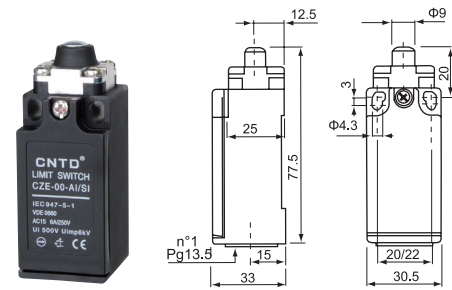
1 NO+1 NC	fast action	00
1 NO+1 NC	slow action	01
1 NO+1 NC	slow overlapping action	02
2 NO	slow action	03
2 NC	slow action	04
2 NC	fast action	05

Plastic V ersion

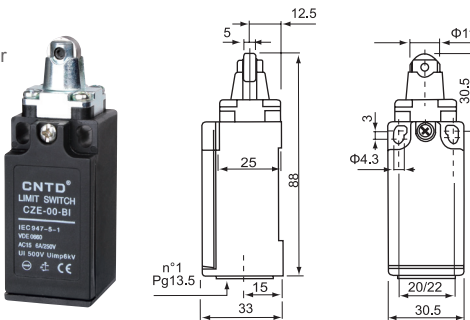
CZE-00-AI
Steel plunger



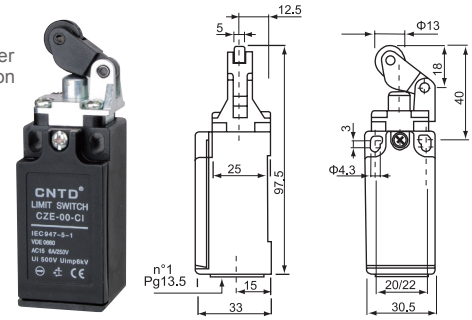
CZE-00-AI/SI
Steel plunger with rubber gasket



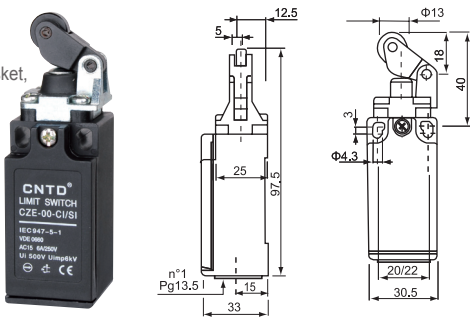
CZE-00-BI
Steel roller plunger



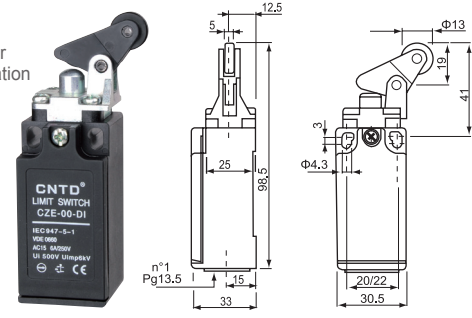
CZE-00-CI
Thermoplastic roller lever, side actuation



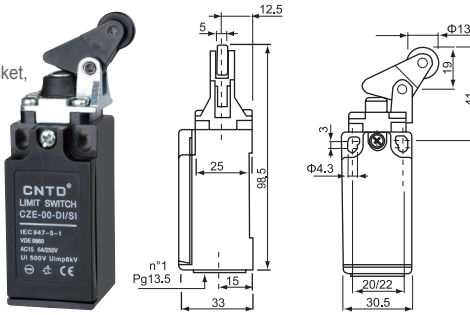
CZE-00-CI/SI
Thermoplastic roller lever with rubber gasket, side actuation



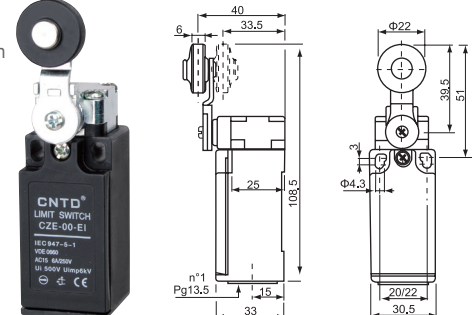
CZE-00-DI
Thermoplastic roller lever, vertical actuation



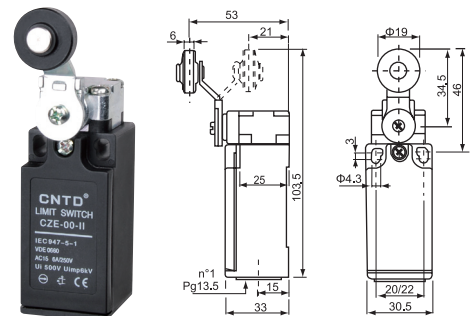
CZE-00-DI/SI
Thermoplastic roller lever with rubber gasket, vertical actuation



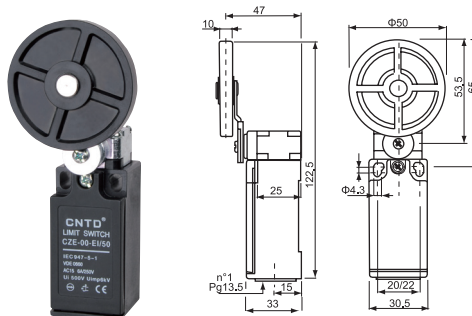
CZE-00-EI
Side rotary lever with plastic roller



CZE-00-II
Offset side rotary lever with plastic roller.

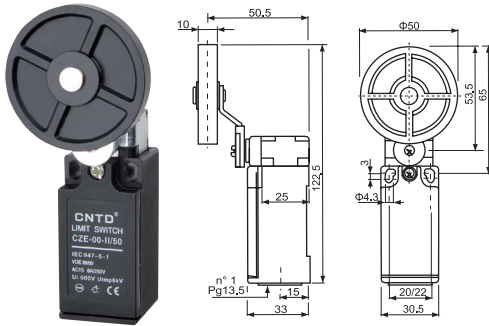


CZE-00-EI/50
Side rotary lever with rubber roller
Φ 50

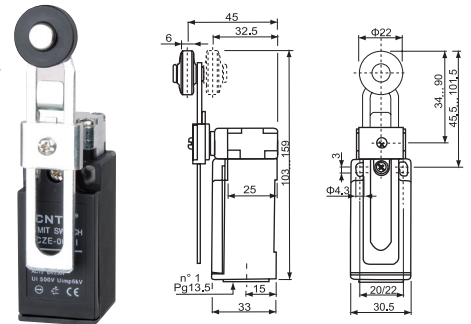


Plastic Version

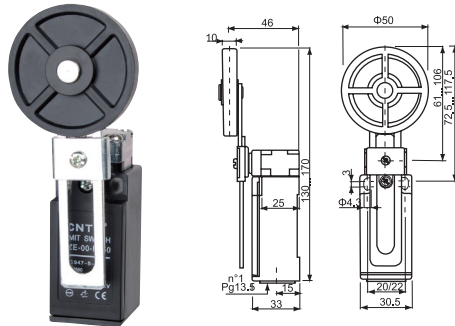
CZE-00-II/50
Side rotary bent lever with rubber roller $\Phi 50$



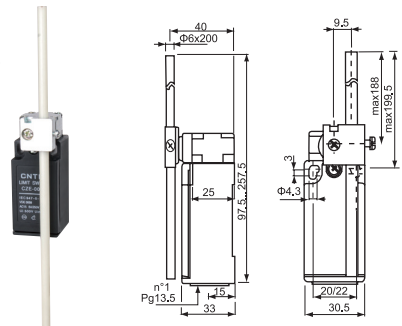
CZE-00-FI
Side rotary adjustable lever with plastic roller



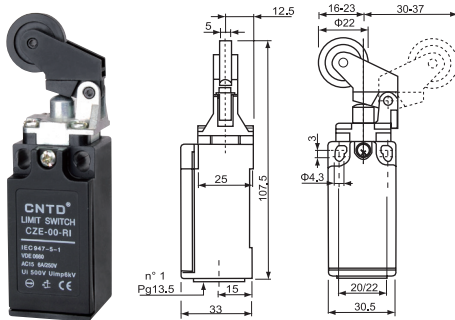
CZE-00-FI/50
Side rotary adjustable lever with rubber roller $\Phi 50$



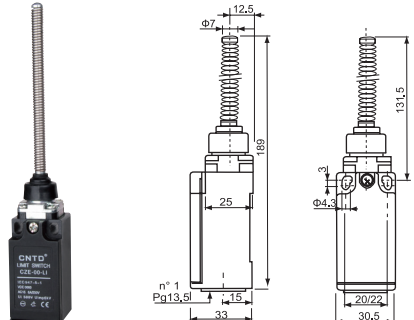
CZE-00-GI
Side rotary adjustable plastic glass fiber "G", aluminum "H", rod $\Phi 6$



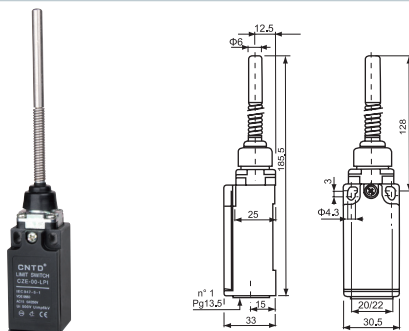
CZE-00-RI
Reversible adjustable thermoplastic roller lever



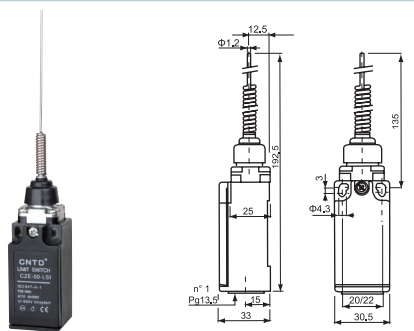
CZE-00-LI
Flexible rod



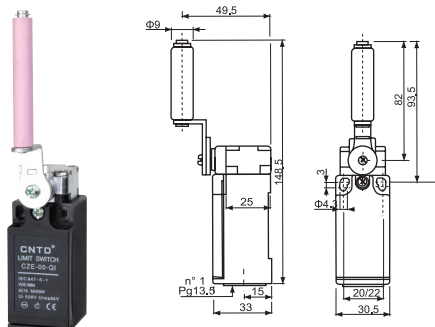
CZE-00-LPI
Flexible rod with plastic terminal



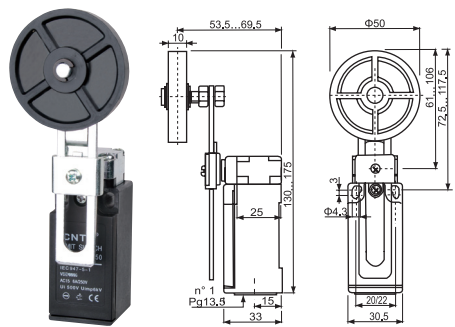
CZE-00-LSI
Flexible rod with metal terminal



CZE-00-QI
Ceramic roller lever

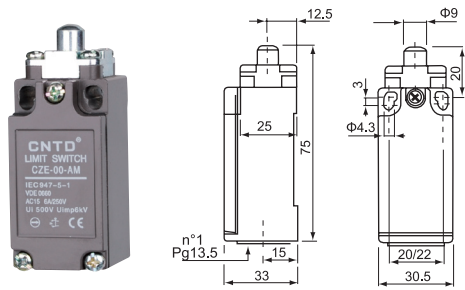


CZE-00-FRI/50
Side rotary adjustable horizontal and vertical lever with rubber roller $\Phi 50$

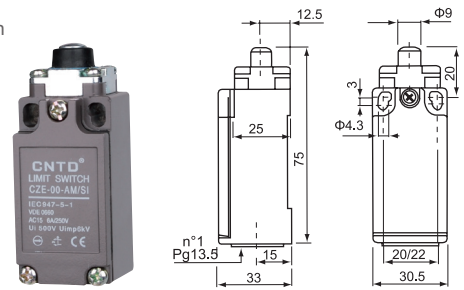


Metal Version

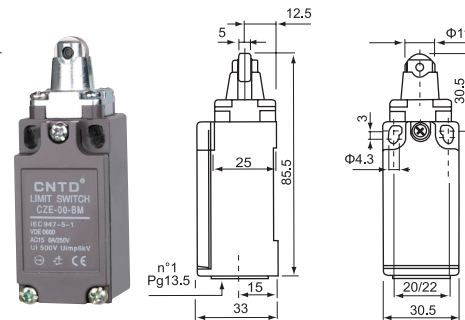
CZE-00-AM
Steel plunger



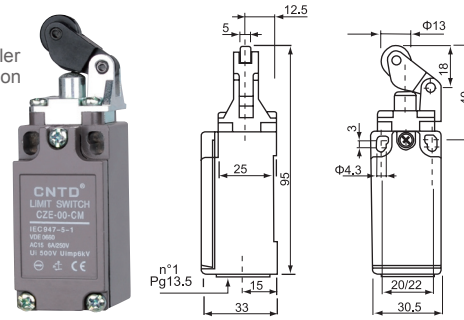
CZE-00-AM/SI
Steel plunger with rubber gasket



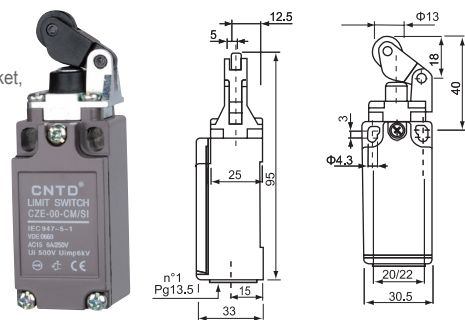
CZE-00-BM
Steel roller plunger



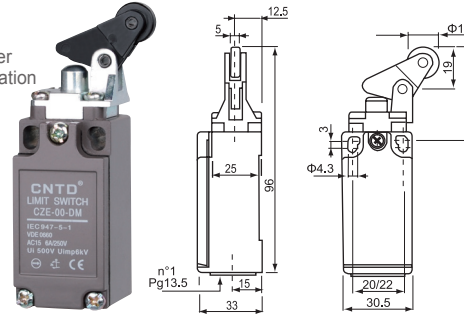
CZE-00-CM
Thermoplastic roller lever, side actuation



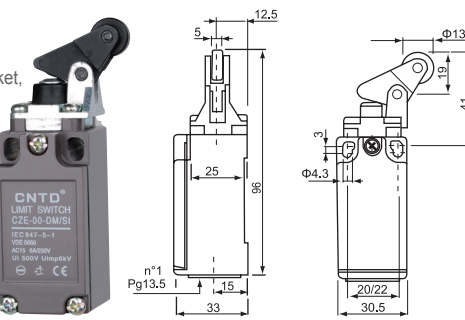
CZE-00-CM/SI
Thermoplastic roller lever with rubber gasket, side actuation



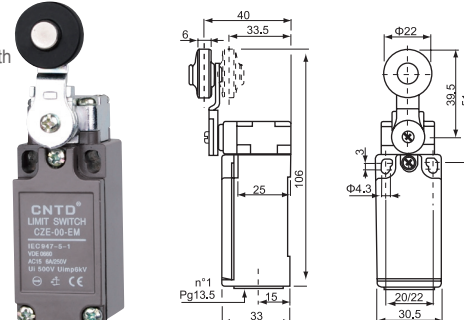
CZE-00-DM
Thermoplastic roller lever, vertical actuation



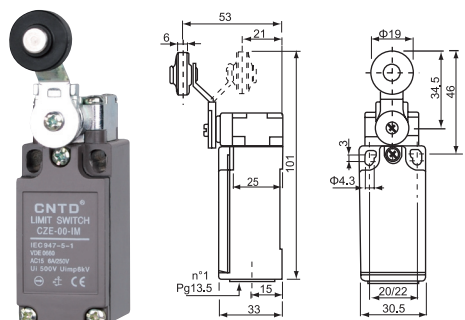
CZE-00-DM/SI
Thermoplastic roller lever with rubber gasket, vertical actuation



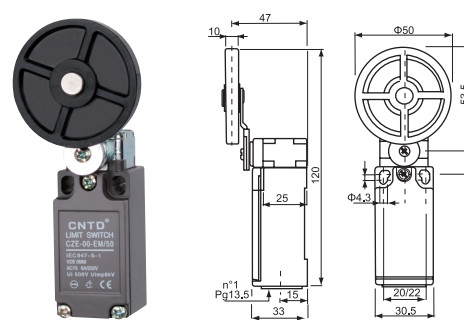
CZE-00-EM
Side rotary lever with plastic roller



CZE-00-IM
Offset side rotary lever with plastic roller.



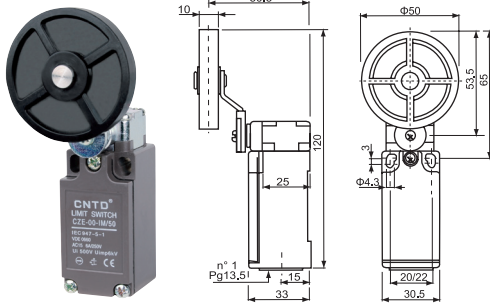
CZE-00-EM/50
Side rotary lever with rubber roller
Φ 50



Metal V ersion

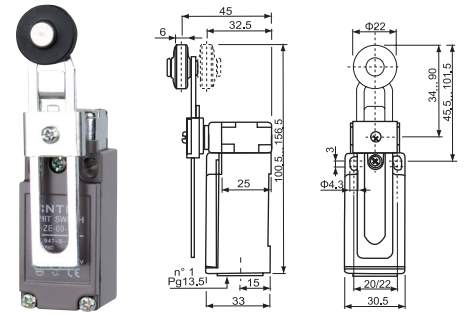
CZE-00-IM/50

Side rotary bent lever with rubber roller $\Phi 50$



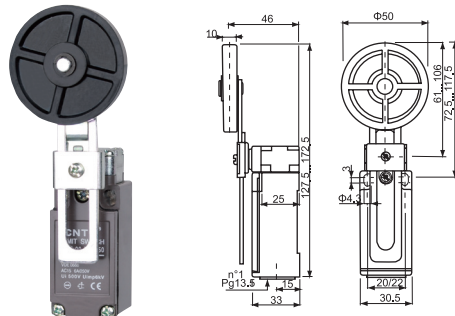
CZE-00-FM

Side rotary adjustable lever with plastic roller



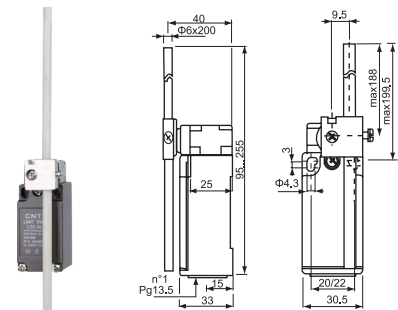
CZE-00-FM/50

Side rotary adjustable lever with rubber roller $\Phi 50$



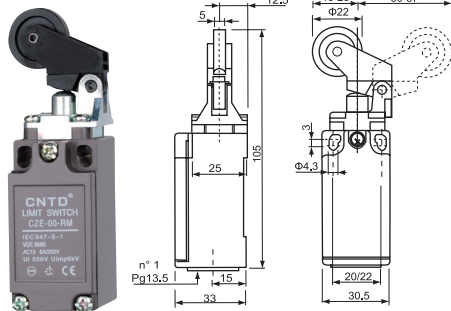
CZE-00-GM

Side rotary adjustable plastic glass fiber "G", aluminum "H", rod $\Phi 6$



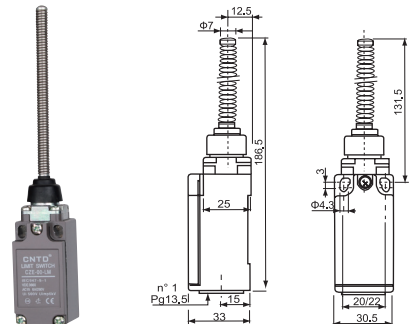
CZE-00-RM

Reversible adjustable thermoplastic roller lever



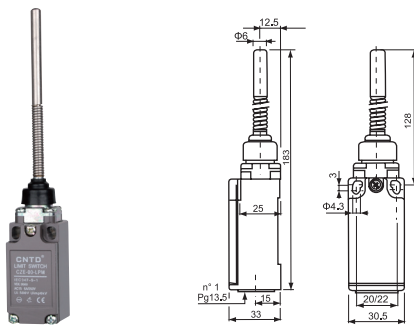
CZE-00-LM

Flexible rod



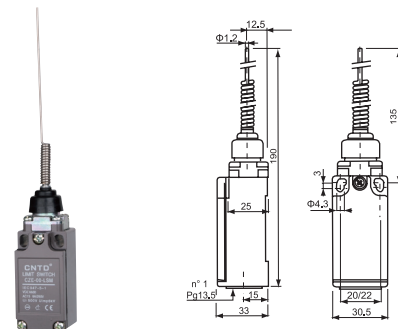
CZE-00-LPM

Flexible rod with plastic terminal



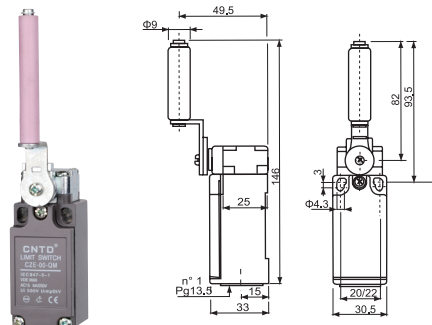
CZE-00-LSM

Flexible rod with metal terminal



CZE-00-QM

Ceramic roller lever



CZE-00-FRM/50

Side rotary adjustable horizontal and vertical lever with rubber roller $\Phi 50$

