



Fans

DC
&
EC
EE



About ACDCFAN

The ACDCFAN develops and manufactures compact cooling fans used in a wide range of industries, including Industrial machinery, Electric power Industry, PV field, Energy storage, and Telecommunications, among others. ACDCFAN produces AC axial fans, AC radial fans, DC axial fans, DC radial fans, and EC axial fans for customers around the world. With over 20 years of dedicated experience in the field, ACDCFAN has grown to be a leading professional manufacturer of high-quality fans based in China.

ACDCFAN has been at the forefront of the industry, consistently providing cutting-edge solutions to meet the diverse needs of our customers. We are an ISO certified company with ISO9001 and ISO14001 certificates. Our cooling fans are RoHS compliant and designed to meet the toughest standards of UL, CE and TUV. The commitment of ACDCFAN to innovation, reliability and customer satisfaction has made us a trusted partner for businesses worldwide. We understand that every application is unique, the OEM/ODM/OBM services are available to offer customized solutions. ACDCFAN strives to be a respected global brand and continue to contribute to the future development of the cooling fan industry.

Factory workshop

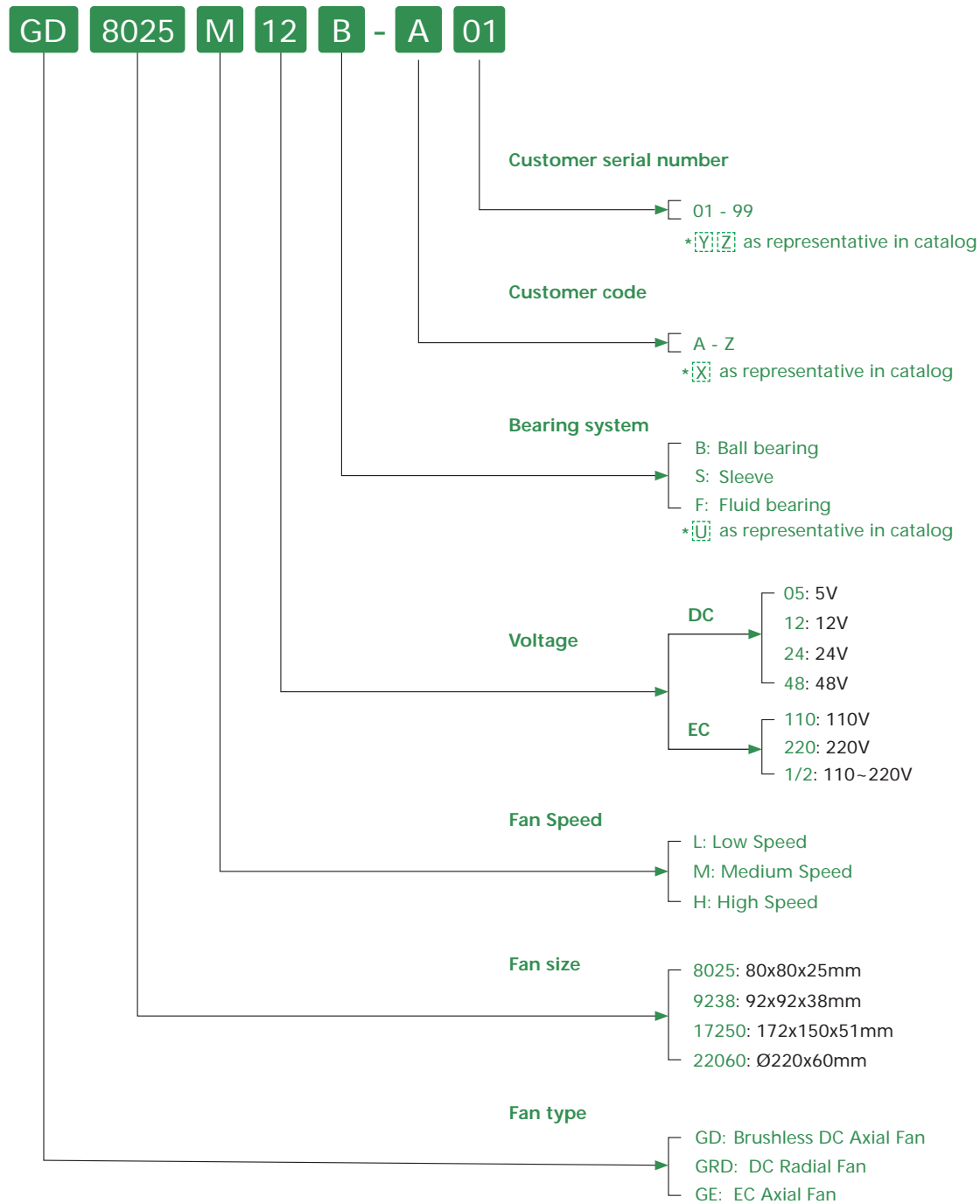


Certifications

We are an ISO certified company with  and  certificates. Our cooling fans are  compliant and designed to meet the toughest standards of  and .



DC&EC Fans Part Numbering System



Function Description

Motor protection	Signal output	Speed control mode
RP: Reverse Protection	FG: Frequency Generator (Tachometer)	PWM: Pulse Width Modulation Control
SS: Soft Start	RD: Rotation Detection	TC: Temperature Control
AS: Auto Restart	RDB: Rotation Detection Complement	VC: Voltage Control
CL: Current Limiting	LD: Life Detection	CC: Current Source Signal Control
OVP: Over-voltage Protection		CS: Constant Speed

Contents

DC Fan

Model no.	Size (mm)	Size (inch)	Page
GD Series - Brushless DC Axial Fan			01
GD2510	25 x 25 x 10	1" x 1" x 0.4"	02
GD3010	30 x 30 x 10	1.2" x 1.2" x 0.4"	03
GD4010	40 x 40 x 10	1.6" x 1.6" x 0.4"	04
GD4020	40 x 40 x 20	1.6" x 1.6" x 0.8"	05
GD4028 NEW	40 x 40 x 28	1.6" x 1.6" x 1.1"	06
GD5010	50 x 50 x 10	2" x 2" x 0.4"	07
GD5015	50 x 50 x 15	2" x 2" x 0.6"	08
GD5020	50 x 50 x 20	2" x 2" x 0.8"	09
GD6015	60 x 60 x 15	2.4" x 2.4" x 0.6"	10
GD6020	60 x 60 x 20	2.4" x 2.4" x 0.8"	11
GD6025	60 x 60 x 25	2.4" x 2.4" x 1"	12
GD6038 Xflow NEW	60 x 60 x 38	2.4" x 2.4" x 1.5"	13
GD7015	70 x 70 x 15	2.8" x 2.8" x 0.6"	14
GD7020	70 x 70 x 20	2.8" x 2.8" x 0.8"	15
GD7025	70 x 70 x 25	2.8" x 2.8" x 1"	16
GD8015	80 x 80 x 15	3.1" x 3.1" x 0.6"	17
GD8020	80 x 80 x 20	3.1" x 3.1" x 0.8"	18
GD8025 Xflow NEW	80 x 80 x 25	3.1" x 3.1" x 1"	19
GD8038 XPressure	80 x 80 x 38	3.1" x 3.1" x 1.5"	20
GD9225	92 x 92 x 25	3.6" x 3.6" x 1"	21
GD9238 XPressure	92 x 92 x 38	3.6" x 3.6" x 1.5"	22
GD12025	120 x 120 x 25	4.7" x 4.7" x 1"	23
GD12038	120 x 120 x 38	4.7" x 4.7" x 1.5"	24
GD12038 XPressure	120 x 120 x 38	4.7" x 4.7" x 1.5"	25
GD15050	150 x 150 x 50	5.9" x 5.9" x 2"	26
GD17250	172 x 150 x 51	6.8" x 5.9" x 2"	27
GD17250 XSpeed NEW	172 x 150 x 51	6.8" x 5.9" x 2"	28
GD18060 NEW	180 x 180 x 60	7" x 7" x 2.4"	29
GD20060	200 x 200 x 60	7.9" x 7.9" x 2.4"	30
GD22060	Ø220 x 60	8.7" x 2.4"	31
GD25489	Ø254 x 89	10" x 3.5"	32
GRD Series - DC Radial Fan			33
GRD5015	50 x 50 x 15	2" x 2" x 0.6"	34
GRD5020	50 x 50 x 20	2" x 2" x 0.8"	35
GRD5025	50 x 50 x 25	2" x 2" x 1"	36
GRD7530	75 x 75 x 30	3" x 3" x 1.2"	37
GRD9733	97 x 97 x 33	3.8" x 3.8" x 1.3"	38
GRD10015 NEW	100 x 95 x 15	3.9" x 3.7" x 0.6"	39
GRD12032	120 x 120 x 32	4.7" x 4.7" x 1.3"	40

EC Fan

Model no.	Size (mm)	Size (inch)	Page
GE Series - EC Axial Fan			41
GE6025	60 x 60 x 25	2.4" x 2.4" x 1"	42
GE8025 Xflow NEW	80 x 80 x 25	3.1" x 3.1" x 1"	43
GE8038 XPressure	80 x 80 x 38	3.1" x 3.1" x 1.5"	44
GE9225	92 x 92 x 25	3.6" x 3.6" x 1"	45
GE9238 XPressure	92 x 92 x 38	3.6" x 3.6" x 1.5"	46
GE12025	120 x 120 x 25	4.7" x 4.7" x 1"	47
GE12038	120 x 120 x 38	4.7" x 4.7" x 1.5"	48
GE15050	150 x 150 x 50	5.9" x 5.9" x 2"	49
GE17250	172 x 150 x 51	6.8" x 5.9" x 2"	50
GE18060 NEW	180 x 180 x 60	7" x 7" x 2.4"	51
GE20060	200 x 200 x 60	7.9" x 7.9" x 2.4"	52
GE22060	Ø220 x 60	8.7" x 2.4"	53

GD Series - Brushless DC Axial Fan

Customization options for special applications:

- IP68 protection level
- High temperature resistance up to 100°C



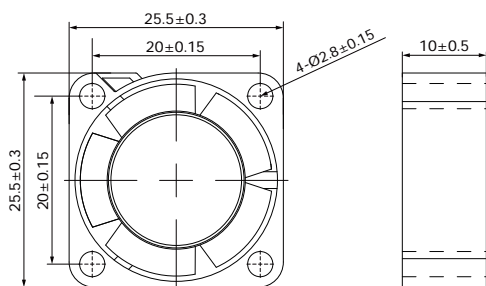
GD2510 Series

25x25x10mm (1"x1"x0.4")

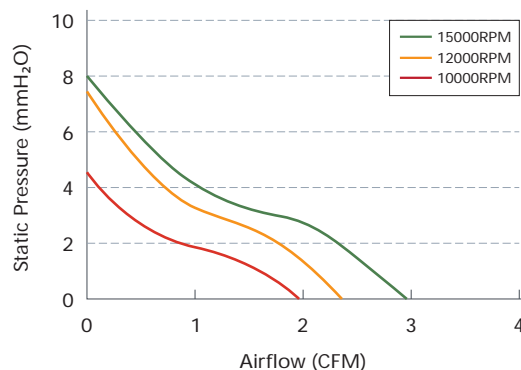


Fan Frame: Thermoplastic PBT UL 94V-0
 Fan Impeller: Thermoplastic PBT UL 94V-0
 Bearing system: Ball bearing and Sleeve available
 Operation Temp: -30~70°C (Ball bearing)
 -10~55°C (Sleeve)
 Service Life: 70000hours @40°C (Ball bearing)
 30000hours @40°C (Sleeve)
 Weight: 6.5g

Engineering Drawing (mm)



Air Performance



Available Functions

Motor protection

RP	SS	AS	CL	OVP
●	●	●	○	○

Signal output

FG	RD	RDB	LD
●	●	○	○

Speed control mode

PWM	TC	VC	CC	CS
●	○	○	○	○

Specifications

Model	Voltage	Voltage Range	Current	Power	Speed	Maximum Air Flow	Maximum Air Pressure	Noise		
No.	VDC	VDC	A	W	RPM	m ³ /min	CFM	mmH ₂ O	INH ₂ O	dB(A)
GD2510L05 [U]-[X][Y][Z]	5	3.6 to 6.8	0.05	0.25	10000	0.04	1.59	2.27	0.09	27.9
GD2510L12 [U]-[X][Y][Z]	12	6.0 to 13.5	0.02	0.24	12000	0.05	1.90	3.26	0.13	32.3
GD2510M05 [U]-[X][Y][Z]	5	3.6 to 6.8	0.07	0.35	15000	0.07	2.38	5.10	0.20	37.6
GD2510M12 [U]-[X][Y][Z]	12	6.0 to 13.5	0.03	0.36						
GD2510H05 [U]-[X][Y][Z]	5	3.6 to 6.8	0.10	0.50						
GD2510H12 [U]-[X][Y][Z]	12	6.0 to 13.5	0.05	0.60						

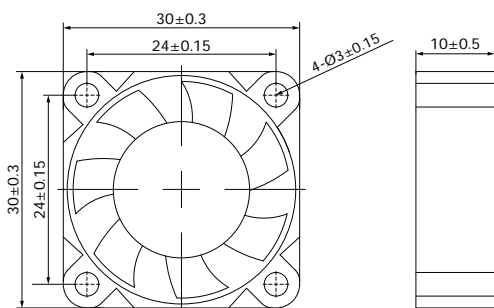
GD3010 Series

30x30x10mm (1.2"x1.2"x0.4")

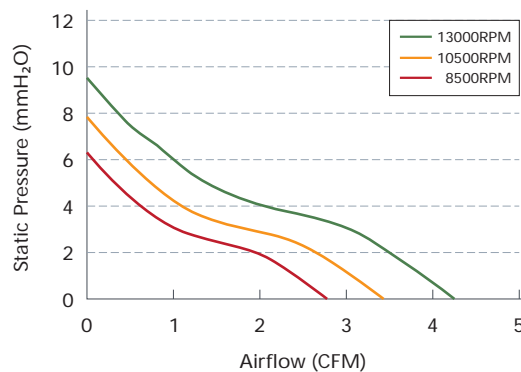


Fan Frame: Thermoplastic PBT UL 94V-0
 Fan Impeller: Thermoplastic PBT UL 94V-0
 Bearing system: Ball bearing and Sleeve available
 Operation Temp: -30~70°C (Ball bearing)
 -10~55°C (Sleeve)
 Service Life: 70000hours @40°C (Ball bearing)
 30000hours @40°C (Sleeve)
 Weight: 7.6g

Engineering Drawing (mm)



Air Performance



Available Functions

Motor protection

RP	SS	AS	CL	OVP
●	●	●	○	○

Signal output

FG	RD	RDB	LD
●	●	○	○

Speed control mode

PWM	TC	VC	CC	CS
●	○	○	○	○

Specifications

Model	Voltage	Voltage Range	Current	Power	Speed	Maximum Air Flow	Maximum Air Pressure	Noise		
No.	VDC	VDC	A	W	RPM	m ³ /min	CFM	mmH ₂ O	INH ₂ O	dB(A)
GD3010L05	5	3.6 to 6.8	0.07	0.35						
GD3010L12	12	6.0 to 13.5	0.03	0.36	8500	0.08	2.78	3.15	0.12	28.9
GD3010L24	24	18 to 26.5	0.01	0.24						
GD3010M05	5	3.6 to 6.8	0.15	0.75						
GD3010M12	12	6.0 to 13.5	0.06	0.72	10500	0.1	3.44	4.81	0.19	34.0
GD3010M24	24	18 to 26.5	0.03	0.72						
GD3010H05	5	3.6 to 6.8	0.30	1.50						
GD3010H12	12	6.0 to 13.5	0.12	1.44	13000	0.12	4.25	7.37	0.29	39.1
GD3010H24	24	18 to 26.5	0.06	1.44						

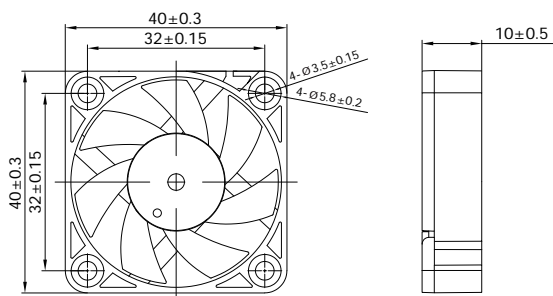
GD4010 Series

40x40x10mm (1.6"x1.6"x0.4")

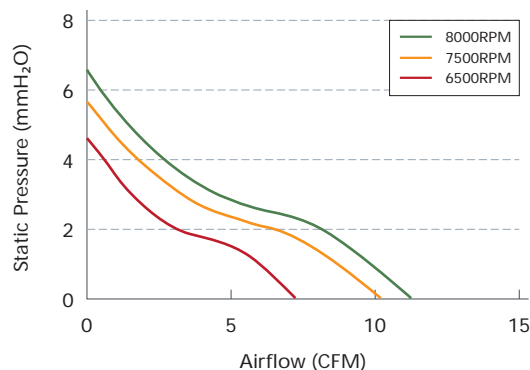


Fan Frame: Thermoplastic PBT UL 94V-0
 Fan Impeller: Thermoplastic PBT UL 94V-0
 Bearing system: Ball bearing and Sleeve available
 Operation Temp: -30~70°C (Ball bearing)
 -10~55°C (Sleeve)
 Service Life: 70000hours @40°C (Ball bearing)
 30000hours @40°C (Sleeve)
 Weight: 14.1g

Engineering Drawing (mm)



Air Performance



Available Functions

Motor protection

RP	SS	AS	CL	OVP
●	●	●	○	○

Signal output

FG	RD	RDB	LD
●	●	○	○

Speed control mode

PWM	TC	VC	CC	CS
●	○	○	○	○

Specifications

Model	Voltage	Voltage Range	Current	Power	Speed	Maximum Air Flow	Maximum Air Pressure	Noise		
No.	VDC	VDC	A	W	RPM	m ³ /min	CFM	mmH ₂ O	INH ₂ O	dB(A)
GD4010L05	5	3.6 to 6.8	0.12	0.6	6000	0.2	7.12	2.62	0.1	29.2
GD4010L12	12	6.0 to 13.5	0.05	0.6	7000	0.24	8.31	3.57	0.14	32.8
GD4010M12	12	6.0 to 13.5	0.08	0.96	8000	0.27	9.5	4.67	0.18	36.5
GD4010M24	24	18 to 26.5	0.04	0.96						
GD4010H12	12	6.0 to 13.5	0.12	1.44						
GD4010H24	24	18 to 26.5	0.06	1.44						

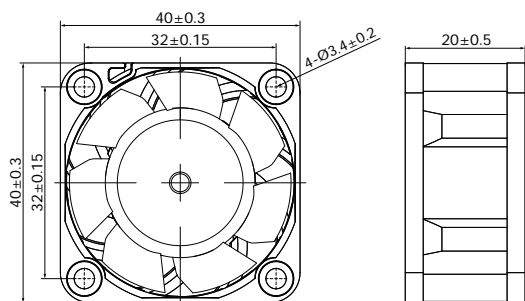
GD4020 Series

40x40x20mm (1.6"x1.6"x0.8")

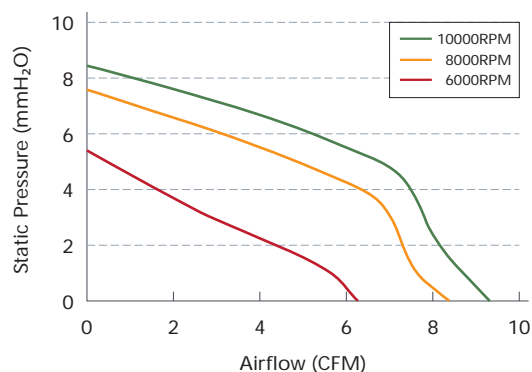


Fan Frame:	Thermoplastic PBT UL 94V-0
Fan Impeller:	Thermoplastic PBT UL 94V-0
Bearing system:	Ball bearing and Sleeve available
Operation Temp:	-30~70°C (Ball bearing) -10~55°C (Sleeve)
Service Life:	70000hours @40°C (Ball bearing) 30000hours @40°C (Sleeve)
Weight:	24.5g

Engineering Drawing (mm)



Air Performance



Available Functions

Motor protection

RP	SS	AS	CL	OVP
●	●	●	○	○

Signal output

FG	RD	RDB	LD
●	●	○	○

Speed control mode

PWM	TC	VC	CC	CS
●	○	○	○	○

Specifications

Model	Voltage	Voltage Range	Current	Power	Speed	Maximum Air Flow	Maximum Air Pressure	Noise		
No.	VDC	VDC	A	W	RPM	m ³ /min	CFM	mmH ₂ O	INH ₂ O	dB(A)
GD4020L05	5	3.6 to 6.8	0.15	0.75						
GD4020L12	12	6.0 to 13.5	0.07	0.84	6000	0.23	8.27	4.61	0.18	31.0
GD4020L24	24	18 to 26.5	0.03	0.72						
GD4020M05	5	3.6 to 6.8	0.38	1.90						
GD4020M12	12	6.0 to 13.5	0.16	1.92	8000	0.31	11.02	8.19	0.32	37.9
GD4020M24	24	18 to 26.5	0.08	1.92						
GD4020H12	12	6.0 to 13.5	0.31	3.72						
GD4020H24	24	18 to 26.5	0.16	3.84	10000	0.39	13.78	12.80	0.50	43.2

GD4028 Series

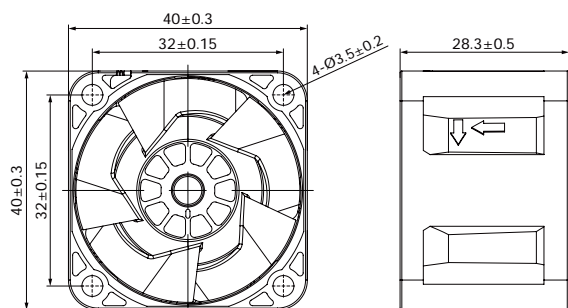
40x40x28mm (1.6"x1.6"x1.1")



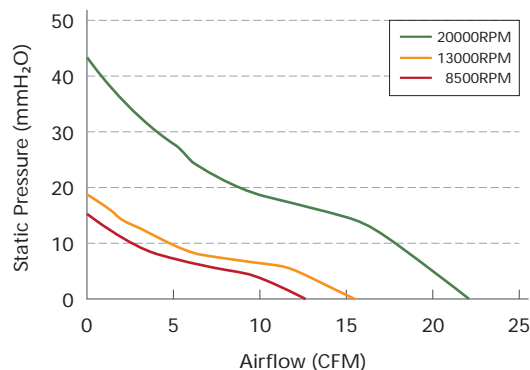
NEW

Fan Frame:	Thermoplastic PBT UL 94V-0
Fan Impeller:	Thermoplastic PBT UL 94V-0
Bearing system:	Ball bearing
Operation Temp:	-30~70°C
Service Life:	70000hours @40°C
Weight:	29.8g

Engineering Drawing (mm)



Air Performance



Available Functions

Motor protection

RP	SS	AS	CL	OVP
●	●	●	○	○

Signal output

FG	RD	RDB	LD
●	●	○	○

Speed control mode

PWM	TC	VC	CC	CS
●	○	○	○	○

Specifications

Model	Voltage	Voltage Range	Current	Power	Speed	Maximum Air Flow	Maximum Air Pressure	Noise		
No.	VDC	VDC	A	W	RPM	m ³ /min	CFM	mmH ₂ O	INH ₂ O	dB(A)
GD4028L12	12	6.0 to 13.5	0.08	0.96	8500	0.32	11.38	10.79	0.42	37.9
GD4028L24	24	18 to 26.5	0.05	1.20	8500	0.49	17.40	25.24	0.99	48.1
GD4028M12	12	6.0 to 13.5	0.28	3.36	13000	0.76	26.77	59.74	2.35	58.4
GD4028M24	24	18 to 26.5	0.15	3.60	13000	0.76	26.77	59.74	2.35	58.4
GD4028H12	12	6.0 to 13.5	1.02	12.24	20000	0.76	26.77	59.74	2.35	58.4
GD4028H24	24	18 to 26.5	0.55	13.20	20000	0.76	26.77	59.74	2.35	58.4

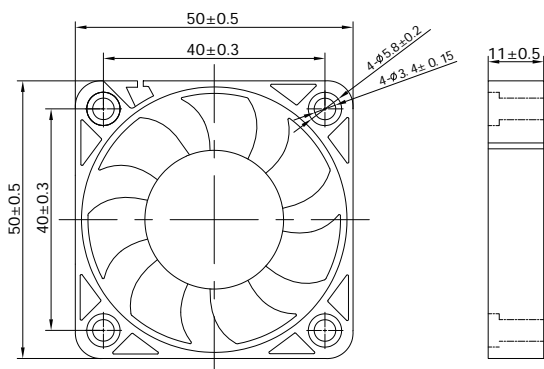
GD5010 Series

50x50x10mm (2"x2"x0.4")

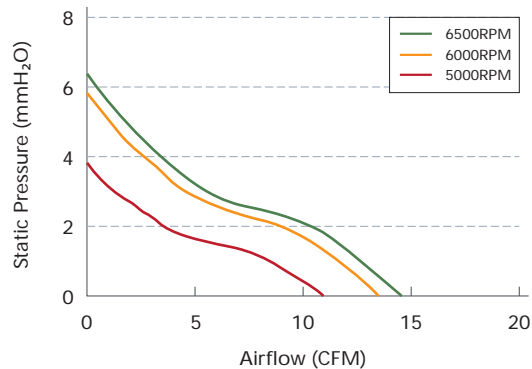


Fan Frame: Thermoplastic PBT UL 94V-0
 Fan Impeller: Thermoplastic PBT UL 94V-0
 Bearing system: Ball bearing and Sleeve available
 Operation Temp: -30~70°C (Ball bearing)
 -10~55°C (Sleeve)
 Service Life: 70000hours @40°C (Ball bearing)
 30000hours @40°C (Sleeve)
 Weight: 16.9g

Engineering Drawing (mm)



Air Performance



Available Functions

Motor protection

RP	SS	AS	CL	OVP
<input checked="" type="radio"/>	<input checked="" type="radio"/>	<input checked="" type="radio"/>	<input type="radio"/>	<input type="radio"/>

Signal output

FG	RD	RDB	LD
<input checked="" type="radio"/>	<input checked="" type="radio"/>	<input type="radio"/>	<input type="radio"/>

Speed control mode

PWM	TC	VC	CC	CS
<input checked="" type="radio"/>	<input type="radio"/>	<input type="radio"/>	<input type="radio"/>	<input type="radio"/>

Specifications

Model	Voltage	Voltage Range	Current	Power	Speed	Maximum Air Flow	Maximum Air Pressure	Noise		
No.	VDC	VDC	A	W	RPM	m ³ /min	CFM	mmH ₂ O	INH ₂ O	dB(A)
GD5010L05	5	3.6 to 6.8	0.1	0.50	5000	0.21	7.52	2.22	0.09	31
GD5010L12	12	6.0 to 13.5	0.04	0.48	6000	0.26	9.03	3.19	0.13	35.3
GD5010M05	5	3.6 to 6.8	0.15	0.75	6000	0.26	9.03	3.19	0.13	35.3
GD5010M12	12	6.0 to 13.5	0.06	0.72	6000	0.26	9.03	3.19	0.13	35.3
GD5010M24	24	18 to 26.5	0.03	0.72	6000	0.26	9.03	3.19	0.13	35.3
GD5010H12	12	6.0 to 13.5	0.18	2.16	9000	0.39	13.78	7.30	0.29	46.6
GD5010H24	24	18 to 26.5	0.09	2.16	9000	0.39	13.78	7.30	0.29	46.6

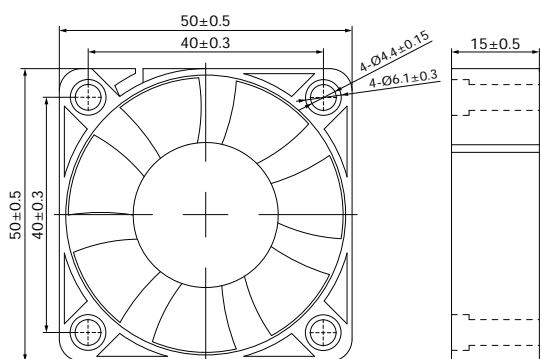
GD5015 Series

50x50x15mm (2"x2"x0.6")

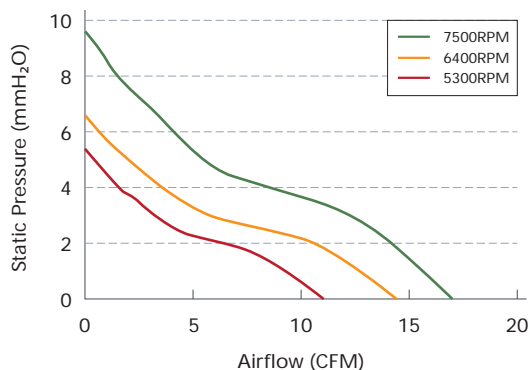


Fan Frame:	Thermoplastic PBT UL 94V-0
Fan Impeller:	Thermoplastic PBT UL 94V-0
Bearing system:	Ball bearing and Sleeve available
Operation Temp:	-30~70°C (Ball bearing) -10~55°C (Sleeve)
Service Life:	70000hours @40°C (Ball bearing) 30000hours @40°C (Sleeve)
Weight:	26.4g

Engineering Drawing (mm)



Air Performance



Available Functions

Motor protection

RP	SS	AS	CL	OVP
●	●	●	○	○

Signal output

FG	RD	RDB	LD
●	●	○	○

Speed control mode

PWM	TC	VC	CC	CS
●	○	○	○	○

Specifications

Model	Voltage	Voltage Range	Current	Power	Speed	Maximum Air Flow	Maximum Air Pressure	Noise		
No.	VDC	VDC	A	W	RPM	m ³ /min	CFM	mmH ₂ O	INH ₂ O	dB(A)
GD5015L05	5	3.6 to 6.8	0.2	1						
GD5015L12	12	6.0 to 13.5	0.08	0.96	5500	0.28	9.95	3.97	0.16	37.4
GD5015L24	24	18 to 26.5	0.04	0.96						
GD5015M12	12	6.0 to 13.5	0.13	1.56	6500	0.33	11.76	5.55	0.22	41.4
GD5015M24	24	18 to 26.5	0.06	1.44						
GD5015H12	12	6.0 to 13.5	0.2	2.4	7500	0.38	13.57	7.38	0.29	44.8
GD5015H24	24	18 to 26.5	0.1	2.4						

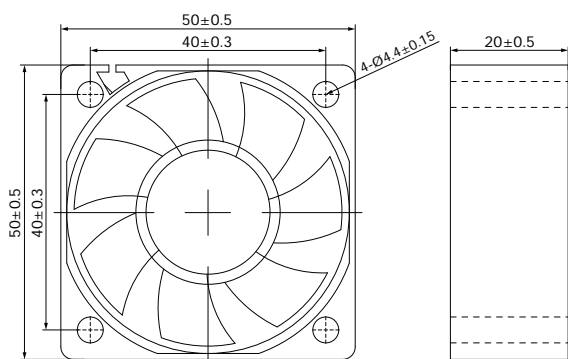
GD5020 Series

50x50x20mm (2"x2"x0.8")

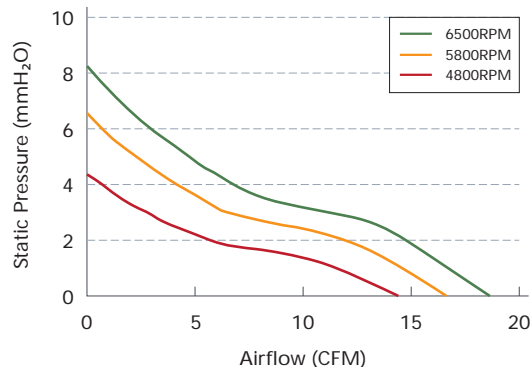


Fan Frame: Thermoplastic PBT UL 94V-0
 Fan Impeller: Thermoplastic PBT UL 94V-0
 Bearing system: Ball bearing and Sleeve available
 Operation Temp: -30~70°C (Ball bearing)
 -10~55°C (Sleeve)
 Service Life: 70000hours @40°C (Ball bearing)
 30000hours @40°C (Sleeve)
 Weight: 31.6g

Engineering Drawing (mm)



Air Performance



Available Functions

Motor protection

RP SS AS CL OVP

Signal output

FG RD RDB LD

Speed control mode

PWM TC VC CC CS

Specifications

Model	Voltage	Voltage Range	Current	Power	Speed	Maximum Air Flow	Maximum Air Pressure	Noise		
No.	VDC	VDC	A	W	RPM	m ³ /min	CFM	mmH ₂ O	INH ₂ O	dB(A)
GD5020L05	5	3.6 to 6.8	0.22	1.1						
GD5020L12	12	6.0 to 13.5	0.19	2.28	4800	0.41	14.36	4.39	0.17	28.7
GD5020L24	24	18 to 26.5	0.1	2.4						
GD5020M05	5	3.6 to 6.8	0.4	2						
GD5020M12	12	6.0 to 13.5	0.22	2.64	5800	0.47	16.67	6.59	0.26	34.3
GD5020M24	24	18 to 26.5	0.11	2.64						
GD5020H12	12	6.0 to 13.5	0.28	3.36						
GD5020H24	24	18 to 26.5	0.18	4.32	6500	0.53	18.68	8.2	0.32	39.2

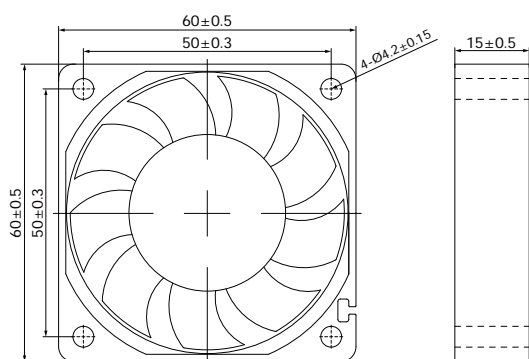
GD6015 Series

60x60x15mm (2.4"x2.4"x0.6")

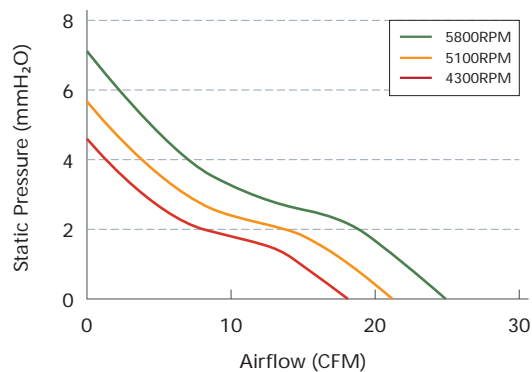


Fan Frame:	Thermoplastic PBT UL 94V-0
Fan Impeller:	Thermoplastic PBT UL 94V-0
Bearing system:	Ball bearing and Sleeve available
Operation Temp:	-30~70°C (Ball bearing) -10~55°C (Sleeve)
Service Life:	70000hours @40°C (Ball bearing) 30000hours @40°C (Sleeve)
Weight:	37.3g

Engineering Drawing (mm)



Air Performance



Available Functions

Motor protection

RP	SS	AS	CL	OVP
●	●	●	○	○

Signal output

FG	RD	RDB	LD
●	●	○	○

Speed control mode

PWM	TC	VC	CC	CS
●	○	○	○	○

Specifications

Model	Voltage	Voltage Range	Current	Power	Speed	Maximum Air Flow	Maximum Air Pressure	Noise		
No.	VDC	VDC	A	W	RPM	m ³ /min	CFM	mmH ₂ O	INH ₂ O	dB(A)
GD6015L05	5	3.6 to 6.8	0.25	1.25						
GD6015L12	12	6.0 to 13.5	0.1	1.2	4000	0.42	14.95	2.6	0.10	33.1
GD6015L24	24	18 to 26.5	0.05	1.2						
GD6015M12	12	6.0 to 13.5	0.20	2.4						
GD6015M24	24	18 to 26.5	0.10	2.4	5000	0.53	18.68	4.06	0.16	38.5
GD6015H12	12	6.0 to 13.5	0.30	3.6						
GD6015H24	24	18 to 26.5	0.15	3.6	6000	0.63	22.42	5.84	0.23	42.8

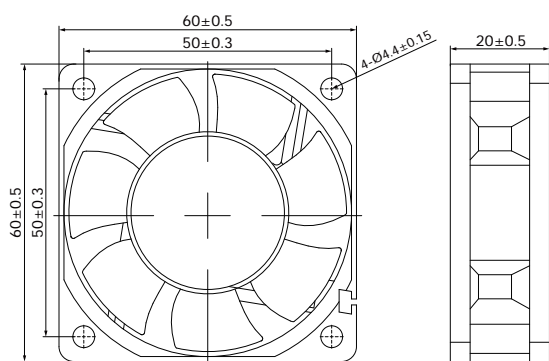
GD6020 Series

60x60x20mm (2.4"x2.4"x0.8")

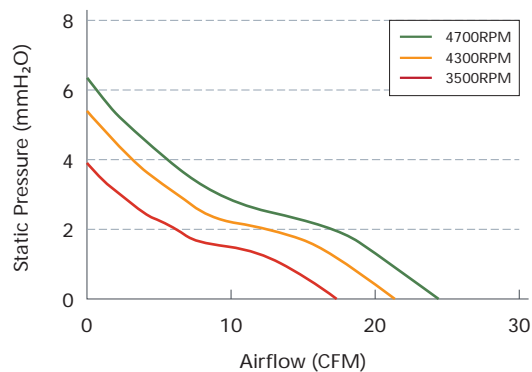


Fan Frame: Thermoplastic PBT UL 94V-0
 Fan Impeller: Thermoplastic PBT UL 94V-0
 Bearing system: Ball bearing and Sleeve avaiale
 Operation Temp: -30~70°C (Ball bearing)
 -10~55°C (Sleeve)
 Service Life: 70000hours @40°C (Ball bearing)
 30000hours @40°C (Sleeve)
 Weight: 47.3g

Engineering Drawing (mm)



Air Performance



Available Functions

Motor protection

RP	SS	AS	CL	OVP
<input checked="" type="checkbox"/>	<input checked="" type="checkbox"/>	<input checked="" type="checkbox"/>	<input type="checkbox"/>	<input type="checkbox"/>

Signal output

FG	RD	RDB	LD
<input checked="" type="checkbox"/>	<input checked="" type="checkbox"/>	<input type="checkbox"/>	<input type="checkbox"/>

Speed control mode

PWM	TC	VC	CC	CS
<input checked="" type="checkbox"/>	<input type="checkbox"/>	<input type="checkbox"/>	<input type="checkbox"/>	<input type="checkbox"/>

Specifications

Model	Voltage	Voltage Range	Current	Power	Speed	Maximum Air Flow	Maximum Air Pressure	Noise		
No.	VDC	VDC	A	W	RPM	m ³ /min	CFM	mmH ₂ O	INH ₂ O	dB(A)
GD6020L05	5	3.6 to 6.8	0.1	0.5						
GD6020L12	12	6.0 to 13.5	0.04	0.48	3000	0.56	14.77	2.12	0.08	27.3
GD6020L24	24	18 to 26.5	0.02	0.48						
GD6020M12	12	6.0 to 13.5	0.1	1.2	4000	0.70	19.69	3.77	0.15	34.2
GD6020M24	24	18 to 26.5	0.05	1.2						
GD6020H12	12	6.0 to 13.5	0.2	2.4	5000	0.52	24.61	5.89	0.23	39.5
GD6020H24	24	18 to 26.5	0.1	2.4						

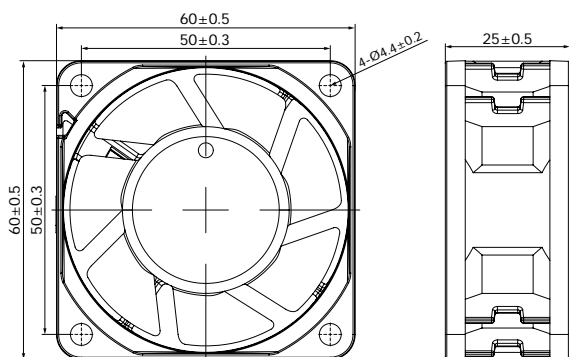
GD6025 Series

60x60x25mm (2.4"x2.4"x1")

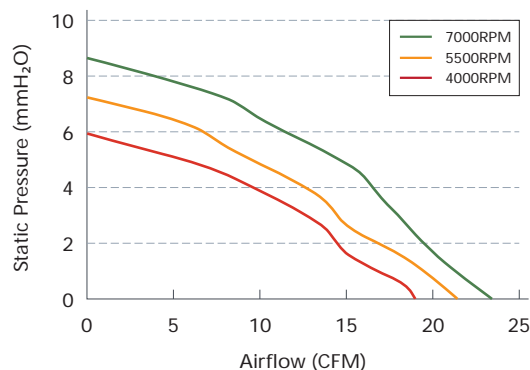


Fan Frame: Thermoplastic PBT UL 94V-0
 Fan Impeller: Thermoplastic PBT UL 94V-0
 Bearing system: Ball bearing and Sleeve available
 Operation Temp: -30~70°C (Ball bearing)
 -10~55°C (Sleeve)
 Service Life: 70000hours @40°C (Ball bearing)
 30000hours @40°C (Sleeve)
 Weight: 61.2g
 Option: Customized IP67/IP68 protection level

Engineering Drawing (mm)



Air Performance



Available Functions

Motor protection

RP	SS	AS	CL	OVP
<input checked="" type="radio"/>	<input checked="" type="radio"/>	<input checked="" type="radio"/>	<input type="radio"/>	<input type="radio"/>

Signal output

FG	RD	RDB	LD
<input checked="" type="radio"/>	<input checked="" type="radio"/>	<input type="radio"/>	<input type="radio"/>

Speed control mode

PWM	TC	VC	CC	CS
<input checked="" type="radio"/>	<input type="radio"/>	<input type="radio"/>	<input type="radio"/>	<input type="radio"/>

Specifications

Model	Voltage	Voltage Range	Current	Power	Speed	Maximum Air Flow	Maximum Air Pressure	Noise		
No.	VDC	VDC	A	W	RPM	m ³ /min	CFM	mmH ₂ O	INH ₂ O	dB(A)
GD6025L12	12	6.0 to 13.5	0.09	1.08						
GD6025L24	24	18 to 26.5	0.04	0.96	4000	0.52	18.36	3.82	0.15	34.6
GD6025L48	48	36 to 54	0.02	0.96						
GD6025M12	12	6.0 to 13.5	0.2	2.4						
GD6025M24	24	18 to 26.5	0.1	2.4	5500	0.75	26.52	7.45	0.29	41.6
GD6025M48	48	36 to 54	0.06	2.88						
GD6025H12	12	6.0 to 13.5	0.35	4.2						
GD6025H24	24	18 to 26.5	0.19	4.56	7000	0.89	31.39	11.16	0.44	47.4
GD6025H48	48	36 to 54	0.1	4.8						

GD6038 Xflow Series

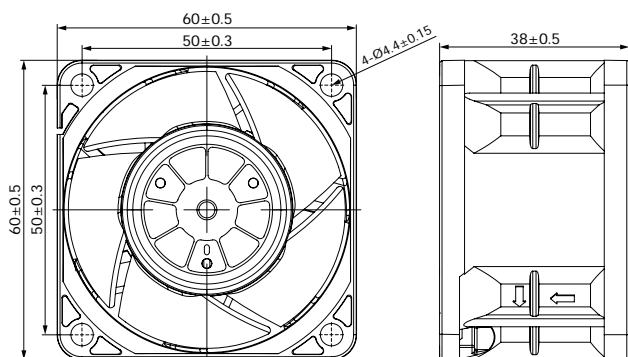
60x60x38mm (2.4"x2.4"x1.5")



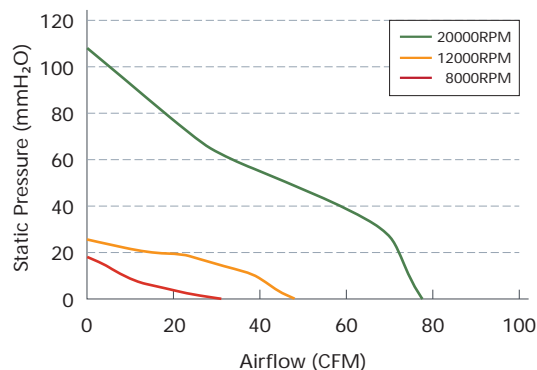
Xflow Series

Fan Frame: Thermoplastic PBT UL 94V-0
 Fan Impeller: Thermoplastic PBT UL 94V-0
 Bearing system: Ball bearing
 Operation Temp: -30~70°C
 Service Life: 70000hours @40°C
 Weight: 104g

Engineering Drawing (mm)



Air Performance



Available Functions

Motor protection

RP SS AS CL OVP

Signal output

FG RD RDB LD

Speed control mode

PWM TC VC CC CS

Specifications

Model	Voltage	Voltage Range	Current	Power	Speed	Maximum Air Flow	Maximum Air Pressure	Noise		
No.	VDC	VDC	A	W	RPM	m ³ /min	CFM	mmH ₂ O	INH ₂ O	dB(A)
GD6038L12	12	6.0 to 13.5	0.3	3.60						
GD6038L24	24	18 to 26.5	0.14	3.36	8000	0.81	28.68	17.40	0.69	45.5
GD6038L48	48	36 to 54	0.08	3.84						
GD6038M12	12	6.0 to 13.5	0.7	8.4						
GD6038M24	24	18 to 26.5	0.35	8.4	12000	1.23	43.36	38.51	1.52	57.4
GD6038M48	48	36 to 54	0.20	9.60						
GD6038H12	12	6.0 to 13.5	2.5	30						
GD6038H24	24	18 to 26.5	0.7	16.8	20000	2.18	76.89	107.32	4.23	69.2
GD6038H48	48	36 to 54	0.5	24						

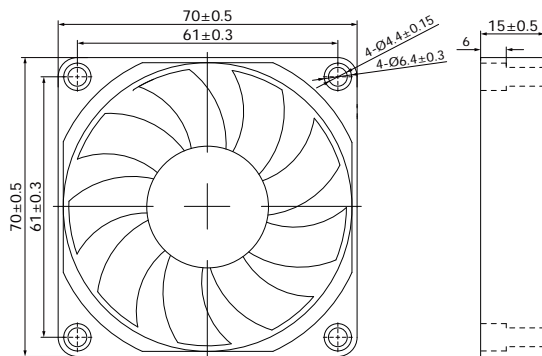
GD7015 Series

70x70x15mm (2.8"x2.8"x0.6")

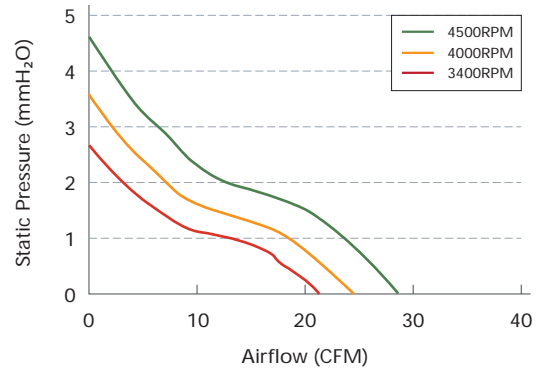


Fan Frame: Thermoplastic PBT UL 94V-0
 Fan Impeller: Thermoplastic PBT UL 94V-0
 Bearing system: Ball bearing and Sleeve available
 Operation Temp: -30~70°C (Ball bearing)
 -10~55°C (Sleeve)
 Service Life: 70000hours @40°C (Ball bearing)
 30000hours @40°C (Sleeve)
 Weight: 43.5g

Engineering Drawing (mm)



Air Performance



Available Functions

Motor protection

RP	SS	AS	CL	OVP
●	●	●	○	○

Signal output

FG	RD	RDB	LD
●	●	○	○

Speed control mode

PWM	TC	VC	CC	CS
●	○	○	○	○

Specifications

Model	Voltage	Voltage Range	Current	Power	Speed	Maximum Air Flow	Maximum Air Pressure	Noise		
No.	VDC	VDC	A	W	RPM	m ³ /min	CFM	mmH ₂ O	INH ₂ O	dB(A)
GD7015L05	5	3.6 to 6.8	0.21	1.05						
GD7015L12	12	6.0 to 13.5	0.12	1.44	3400	0.62	21.85	2.7	0.11	28.2
GD7015L24	24	18 to 26.5	0.07	1.68						
GD7015M12	12	6.0 to 13.5	0.19	2.28	4000	0.71	25.01	3.6	0.142	32.7
GD7015M24	24	18 to 26.5	0.09	2.16						
GD7015H12	12	6.0 to 13.5	0.26	3.12	4500	0.82	29.02	4.65	0.183	34.8
GD7015H24	24	18 to 26.5	0.13	3.12						

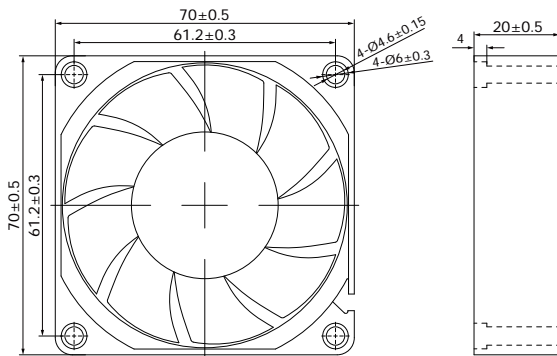
GD7020 Series

70x70x20mm (2.8"x2.8"x0.8")

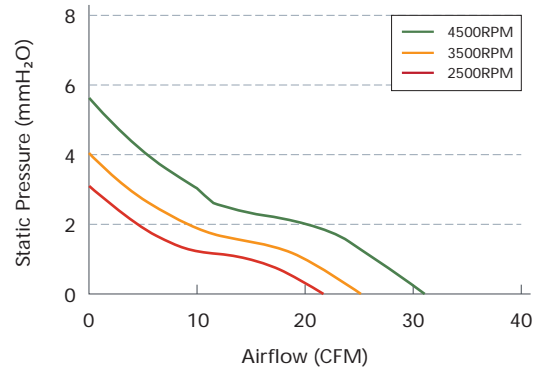


Fan Frame: Thermoplastic PBT UL 94V-0
 Fan Impeller: Thermoplastic PBT UL 94V-0
 Bearing system: Ball bearing and Sleeve available
 Operation Temp: -30~70°C (Ball bearing)
 -10~55°C (Sleeve)
 Service Life: 70000hours @40°C (Ball bearing)
 30000hours @40°C (Sleeve)
 Weight: 59.3g

Engineering Drawing (mm)



Air Performance



Available Functions

Motor protection

RP SS AS CL OVP

Signal output

FG RD RDB LD

Speed control mode

PWM TC VC CC CS

Specifications

Model	Voltage	Voltage Range	Current	Power	Speed	Maximum Air Flow	Maximum Air Pressure	Noise		
No.	VDC	VDC	A	W	RPM	m ³ /min	CFM	mmH ₂ O	INH ₂ O	dB(A)
GD7020L12	12	6.0 to 13.5	0.06	0.72	2500	0.57	20.13	1.70	0.07	28.5
GD7020L24	24	18 to 26.5	0.03	0.72	2500	0.57	20.13	1.70	0.07	28.5
GD7020M12	12	6.0 to 13.5	0.2	2.4	3500	0.8	28.19	3.31	0.13	36.5
GD7020M24	24	18 to 26.5	0.1	2.4	3500	0.8	28.19	3.31	0.13	36.5
GD7020H12	12	6.0 to 13.5	0.4	4.8	4500	1.03	36.24	5.47	0.22	42.5
GD7020H24	24	18 to 26.5	0.2	4.8	4500	1.03	36.24	5.47	0.22	42.5

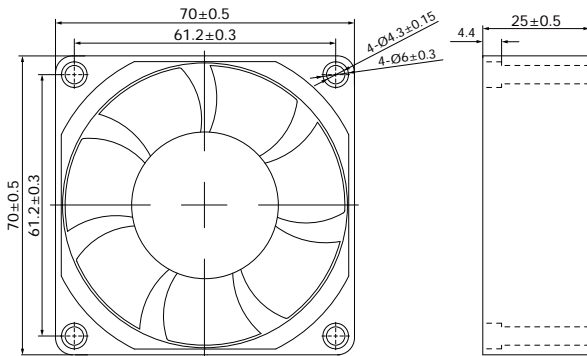
GD7025 Series

70x70x25mm (2.8"x2.8"x1")

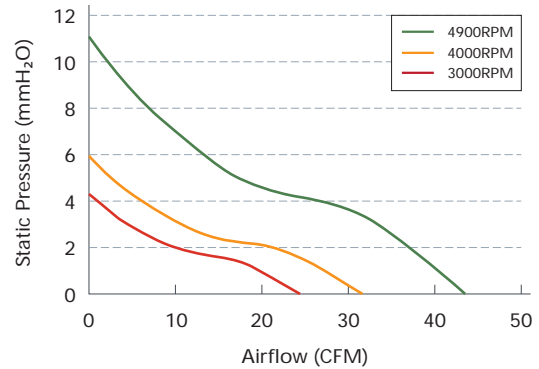


Fan Frame:	Thermoplastic PBT UL 94V-0
Fan Impeller:	Thermoplastic PBT UL 94V-0
Bearing system:	Ball bearing and Sleeve available
Operation Temp:	-30~70°C (Ball bearing) -10~55°C (Sleeve)
Service Life:	70000hours @40°C (Ball bearing) 30000hours @40°C (Sleeve)
Weight:	67.3g

Engineering Drawing (mm)



Air Performance



Available Functions

Motor protection

RP	SS	AS	CL	OVP
●	●	●	○	○

Signal output

FG	RD	RDB	LD
●	●	○	○

Speed control mode

PWM	TC	VC	CC	CS
●	○	○	○	○

Specifications

Model	Voltage	Voltage Range	Current	Power	Speed	Maximum Air Flow	Maximum Air Pressure	Noise		
No.	VDC	VDC	A	W	RPM	m ³ /min	CFM	mmH ₂ O	INH ₂ O	dB(A)
GD7025L12	12	6.0 to 13.5	0.1	1.2	3000	0.64	22.71	3.49	0.14	34
GD7025L24	24	18 to 26.5	0.07	1.68	3000	0.64	22.71	3.49	0.14	34
GD7025M12	12	6.0 to 13.5	0.16	1.92	4000	0.93	32.64	6.07	0.24	41.9
GD7025M24	24	18 to 26.5	0.11	2.64	4000	0.93	32.64	6.07	0.24	41.9
GD7025H12	12	6.0 to 13.5	0.27	3.24	4900	1.26	44.37	11.24	0.44	45.6
GD7025H24	24	18 to 26.5	0.17	4.08	4900	1.26	44.37	11.24	0.44	45.6

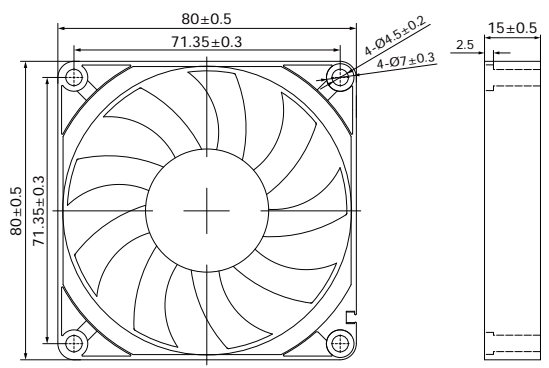
GD8015 Series

80x80x15mm (3.1"x3.1"x0.6")

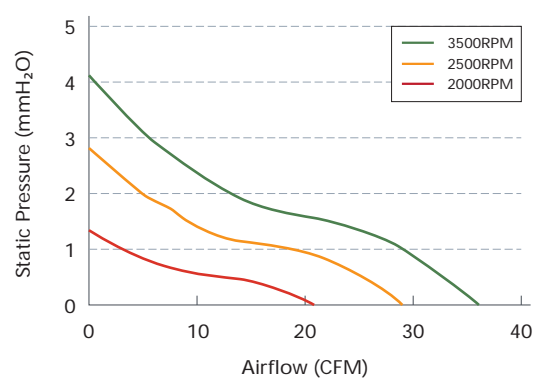


Fan Frame: Thermoplastic PBT UL 94V-0
 Fan Impeller: Thermoplastic PBT UL 94V-0
 Bearing system: Ball bearing and Sleeve available
 Operation Temp: -30~70°C (Ball bearing)
 -10~55°C (Sleeve)
 Service Life: 70000hours @40°C (Ball bearing)
 30000hours @40°C (Sleeve)
 Weight: 48.8g

Engineering Drawing (mm)



Air Performance



Available Functions

Motor protection					Signal output				Speed control mode				
RP	SS	AS	CL	OVP	FG	RD	RDB	LD	PWM	TC	VC	CC	CS
●	●	●	○	○	●	●	○	○	●	○	○	○	○

Specifications

Model	Voltage	Voltage Range	Current	Power	Speed	Maximum Air Flow	Maximum Air Pressure	Noise		
No.	VDC	VDC	A	W	RPM	m ³ /min	CFM	mmH ₂ O	INH ₂ O	dB(A)
GD8015L05	5	3.6 to 6.8	0.24	1.2	2000	0.61	21.26	1.29	0.05	26.6
GD8015L12	12	6.0 to 13.5	0.1	1.2	2500	0.83	29.51	2.77	0.11	29.2
GD8015M12	12	6.0 to 13.5	0.13	1.56	2500	0.83	29.51	2.77	0.11	29.2
GD8015M24	24	18 to 26.5	0.08	1.92	2500	0.83	29.51	2.77	0.11	29.2
GD8015H12	12	6.0 to 13.5	0.3	3.6	3500	1.04	36.64	4.05	0.16	35.6
GD8015H24	24	18 to 26.5	0.15	4.32	3500	1.04	36.64	4.05	0.16	35.6

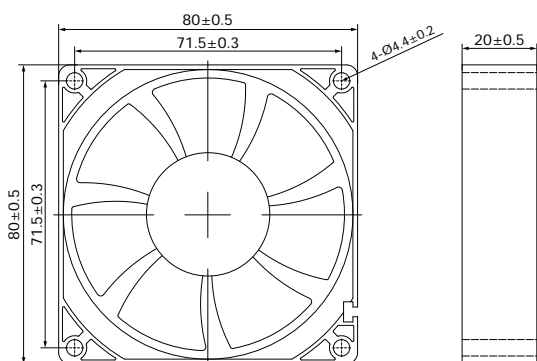
GD8020 Series

80x80x20mm (3.1"x3.1"x0.8")

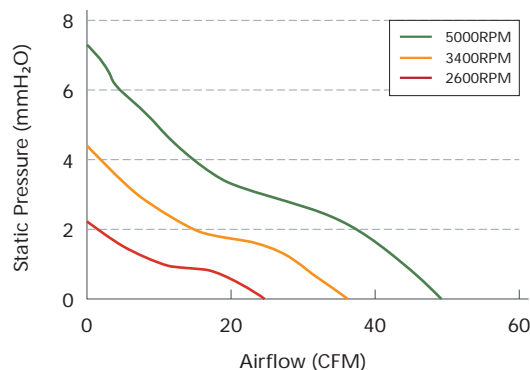


Fan Frame:	Thermoplastic PBT UL 94V-0
Fan Impeller:	Thermoplastic PBT UL 94V-0
Bearing system:	Ball bearing and Sleeve available
Operation Temp:	-30~70°C (Ball bearing) -10~55°C (Sleeve)
Service Life:	70000hours @40°C (Ball bearing) 30000hours @40°C (Sleeve)
Weight:	59.5g

Engineering Drawing (mm)



Air Performance



Available Functions

Motor protection

RP	SS	AS	CL	OVP
●	●	●	○	○

Signal output

FG	RD	RDB	LD
●	●	○	○

Speed control mode

PWM	TC	VC	CC	CS
●	○	○	○	○

Specifications

Model	Voltage	Voltage Range	Current	Power	Speed	Maximum Air Flow	Maximum Air Pressure	Noise		
No.	VDC	VDC	A	W	RPM	m ³ /min	CFM	mmH ₂ O	INH ₂ O	dB(A)
GD8020L12	12	6.0 to 13.5	0.11	1.32	2600	0.71	25.29	2.3	0.09	29.9
GD8020L24	24	18 to 26.5	0.07	1.68	3400	1.04	36.64	4.52	0.18	36.2
GD8020M12	12	6.0 to 13.5	0.19	2.28	5000	1.41	49.68	7.5	0.295	43.7
GD8020M24	24	18 to 26.5	0.12	2.88						
GD8020H24	24	18 to 26.5	0.24	5.76						
GD8020H48	48	36 to 54	0.12	5.76						

GD8025 Xflow Series

80x80x25mm (3.1"x3.1"x1")

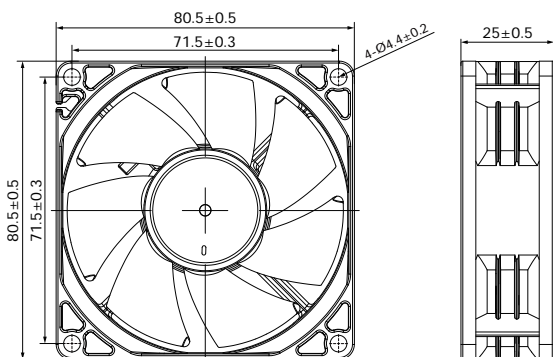


NEW

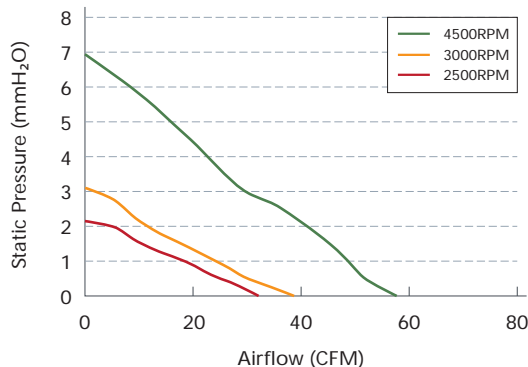
Xflow Series

Fan Frame: Thermoplastic PBT UL 94V-0
 Fan Impeller: Thermoplastic PBT UL 94V-0
 Bearing system: Ball bearing and Sleeve available
 Operation Temp: -30~70°C (Ball bearing)
 -10~55°C (Sleeve)
 Service Life: 70000hours @40°C (Ball bearing)
 30000hours @40°C (Sleeve)
 Weight: 72g
 Option: Customized IP67/IP68 protection level

Engineering Drawing (mm)



Air Performance



Available Functions

Motor protection

RP SS AS CL OVP

Signal output

FG RD RDB LD

Speed control mode

PWM TC VC CC CS

Specifications

Model	Voltage	Voltage Range	Current	Power	Speed	Maximum Air Flow	Maximum Air Pressure	Noise		
No.	VDC	VDC	A	W	RPM	m ³ /min	CFM	mmH ₂ O	INH ₂ O	dB(A)
GD8025L12	12	6.0 to 13.5	0.15	1.8						
GD8025L24	24	18 to 26.5	0.08	1.92	2500	0.9	31.85	2.15	0.08	31.5
GD8025L48	48	36 to 54	0.04	1.92						
GD8025M12	12	6.0 to 13.5	0.3	3.6						
GD8025M24	24	18 to 26.5	0.15	3.6	3000	1.08	38.23	3.1	0.12	35.7
GD8025M48	48	36 to 54	0.07	3.36						
GD8025H12	12	6.0 to 13.5	0.45	5.4						
GD8025H24	24	18 to 26.5	0.25	6	4500	1.62	57.34	6.97	0.27	45.4
GD8025H48	48	36 to 54	0.12	5.76						

GD8038 XPressure Series

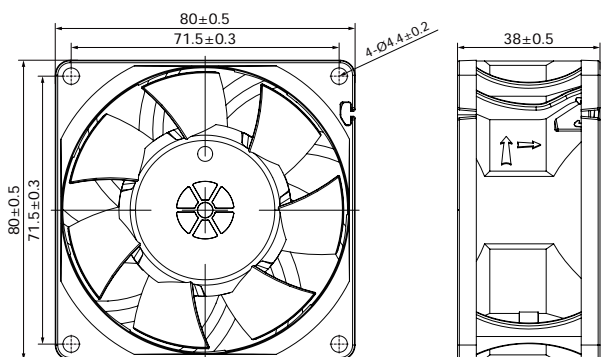
80x80x38mm (3.1"x3.1"x1.5")



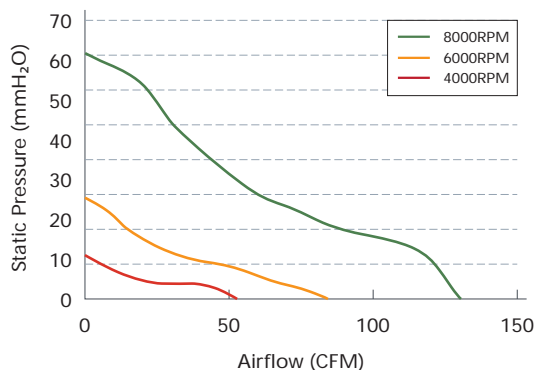
XPressure Series

Fan Frame: Thermoplastic PBT UL 94V-0
 Fan Impeller: Thermoplastic PBT UL 94V-0
 Bearing system: Ball bearing
 Operation Temp: -30~70°C
 Service Life: 70000hours @40°C
 Weight: 177.6g
 Option: Customized IP67 protection level

Engineering Drawing (mm)



Air Performance



Available Functions

Motor protection

RP SS AS CL OVP

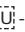
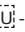


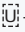
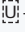

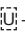
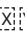
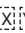


Signal output

FG RD RDB LD

Speed control mode

PWM TC VC CC CS

Specifications

Model	Voltage	Voltage Range	Current	Power	Speed	Maximum Air Flow	Maximum Air Pressure	Noise		
No.	VDC	VDC	A	W	RPM	m ³ /min	CFM	mmH ₂ O	INH ₂ O	dB(A)
GD8038L12  	12	6.0 to 13.5	0.24	2.88						
GD8038L24  	24	18 to 26.5	0.12	2.88	4000	1.32	46.54	7.58	0.3	48.5
GD8038L48  	48	36 to 54	0.07	3.36						
GD8038M12  	12	6.0 to 13.5	0.8	9.6						
GD8038M24  	24	18 to 26.5	0.4	9.6	6000	2.00	70.73	18.04	0.71	56.9
GD8038M48  	24	36 to 54	0.2	9.6						
GD8038H12  	12	6.0 to 13.5	1.8	21.6						
GD8038H24  	24	18 to 26.5	0.9	21.6	8000	2.89	102.23	35.24	1.39	65.8
GD8038H48  	48	36 to 54	0.45	21.6						

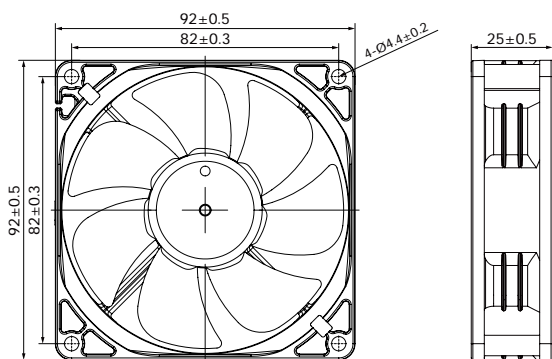
GD9225 Series

92x92x25mm (3.6"x3.6"x1")

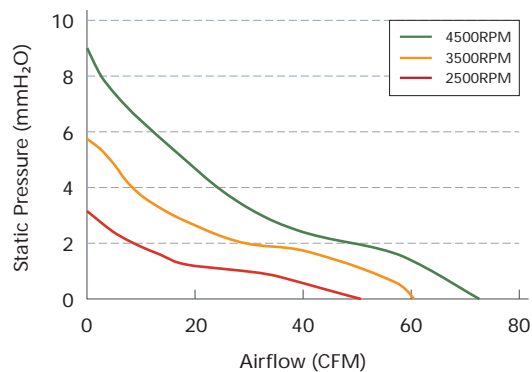


Fan Frame: Thermoplastic PBT UL 94V-0
 Fan Impeller: Thermoplastic PBT UL 94V-0
 Bearing system: Ball bearing and Sleeve available
 Operation Temp: -30~70°C (Ball bearing)
 -10~55°C (Sleeve)
 Service Life: 70000hours @40°C (Ball bearing)
 30000hours @40°C (Sleeve)
 Weight: 102g
 Option: Customized IP67/IP68 protection level

Engineering Drawing (mm)



Air Performance



Available Functions

Motor protection

RP SS AS CL OVP

Signal output

FG RD RDB LD

Speed control mode

PWM TC VC CC CS

Specifications

Model	Voltage	Voltage Range	Current	Power	Speed	Maximum Air Flow	Maximum Air Pressure	Noise		
No.	VDC	VDC	A	W	RPM	m ³ /min	CFM	mmH ₂ O	INH ₂ O	dB(A)
GD9225L12	12	6.0 to 13.5	0.13	1.56						
GD9225L24	24	18 to 26.5	0.06	1.44	2500	1.08	38.12	2.26	0.09	31.7
GD9225L48	48	36 to 54	0.04	1.92						
GD9225M12	12	6.0 to 13.5	0.25	3						
GD9225M24	24	18 to 26.5	0.12	2.88	3500	1.51	53.30	4.42	0.17	38.5
GD9225M48	48	36 to 54	0.06	2.88						
GD9225H12	12	6.0 to 13.5	0.52	6.24						
GD9225H24	24	18 to 26.5	0.25	6	4500	2.07	73.20	8.03	0.32	45.8
GD9225H48	48	36 to 54	0.13	6.24						

GD9238 XPressure Series

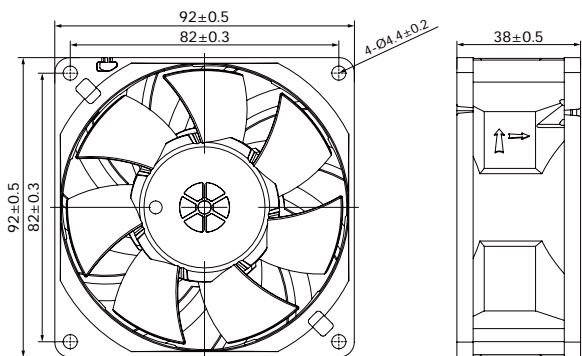
92x92x38mm (3.6"x3.6"x1.5")



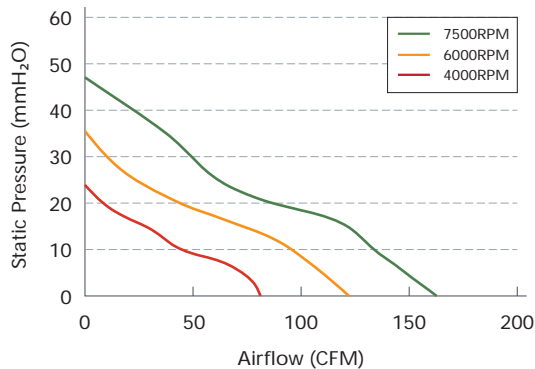
XPressure Series

Fan Frame: Thermoplastic PBT UL 94V-0
 Fan Impeller: Thermoplastic PBT UL 94V-0
 Bearing system: Ball bearing
 Operation Temp: -30~70°C
 Service Life: 70000hours @40°C
 Weight: 202g
 Option: Customized IP67 protection level

Engineering Drawing (mm)



Air Performance



Available Functions

Motor protection

RP SS AS CL OVP

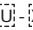

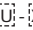

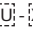

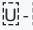
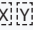
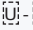

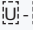
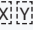
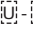

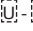
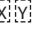
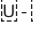
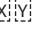
Signal output

FG RD RDB LD

Speed control mode

PWM TC VC CC CS

Specifications

Model	Voltage	Voltage Range	Current	Power	Speed	Maximum Air Flow	Maximum Air Pressure	Noise		
No.	VDC	VDC	A	W	RPM	m ³ /min	CFM	mmH ₂ O	INH ₂ O	dB(A)
GD9238L12  	12	6.0 to 13.5	0.27	3.24						
GD9238L24  	24	18 to 26.5	0.15	3.6	4000	1.90	67.27	9.20	0.36	46.9
GD9238L48  	48	36 to 54	0.08	3.84						
GD9238M12  	12	6.0 to 13.5	0.9	10.8						
GD9238M24  	24	18 to 26.5	0.5	12	6000	2.86	100.98	20.69	0.81	56.6
GD9238M48  	48	36 to 54	0.25	12						
GD9238H12  	12	6.0 to 13.5	1.8	21.6						
GD9238H24  	24	18 to 26.5	0.9	21.6	7500	3.57	126.12	32.33	1.27	61.9
GD9238H48  	48	36 to 54	0.45	21.6						

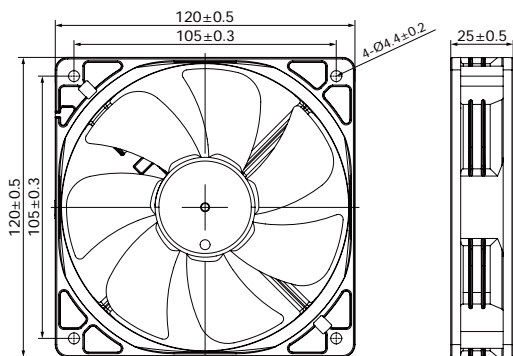
GD12025 Series

120x120x25mm (4.7"x4.7"x1")

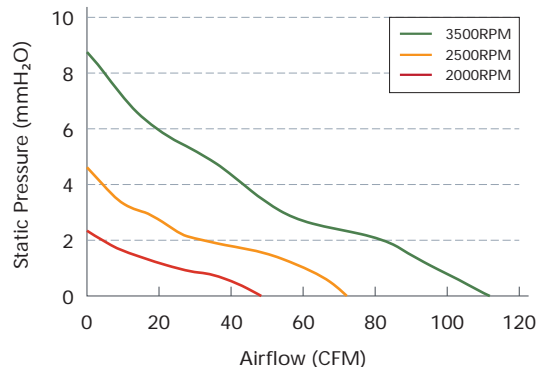


Fan Frame: Thermoplastic PBT UL 94V-0
 Fan Impeller: Thermoplastic PBT UL 94V-0
 Bearing system: Ball bearing and Sleeve available
 Operation Temp: -30~70°C (Ball bearing)
 -10~55°C (Sleeve)
 Service Life: 70000hours @40°C (Ball bearing)
 30000hours @40°C (Sleeve)
 Weight: 121.3g
 Option: Customized IP67 protection level

Engineering Drawing (mm)



Air Performance



Available Functions

Motor protection

RP SS AS CL OVP

Signal output

FG RD RDB LD

Speed control mode

PWM TC VC CC CS

Specifications

Model	Voltage	Voltage Range	Current	Power	Speed	Maximum Air Flow	Maximum Air Pressure	Noise		
No.	VDC	VDC	A	W	RPM	m ³ /min	CFM	mmH ₂ O	INH ₂ O	dB(A)
GD12025L12	12	6.0 to 13.5	0.15	1.8						
GD12025L24	24	18 to 26.5	0.09	2.16	2000	1.70	60.23	2.54	0.1	37.1
GD12025L48	48	36 to 54	0.04	1.92						
GD12025M12	12	6.0 to 13.5	0.27	3.24						
GD12025M24	24	18 to 26.5	0.13	3.12	2500	2.13	75.29	4.02	0.16	42.4
GD12025M48	48	36 to 54	0.07	3.36						
GD12025H12	12	6.0 to 13.5	0.6	7.2						
GD12025H24	24	18 to 26.5	0.3	7.2	3500	2.98	105.40	7.77	0.31	50.5
GD12025H48	48	36 to 54	0.15	7.2						

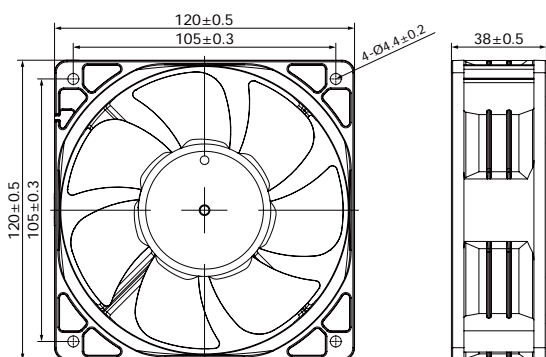
GD12038 Series

120x120x38mm (4.7"x4.7"x1.5")

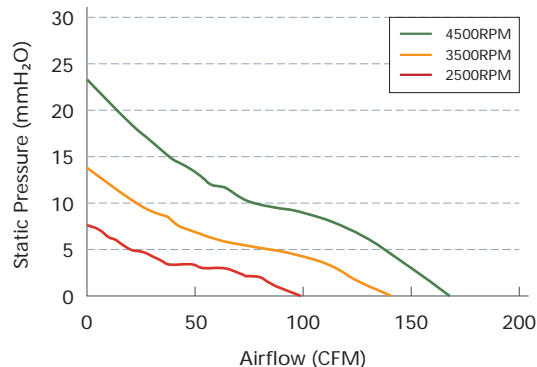


Fan Frame: Thermoplastic PBT UL 94V-0
 Fan Impeller: Thermoplastic PBT UL 94V-0
 Bearing system: Ball bearing and Sleeve avaiale
 Operation Temp: -30~70°C (Ball bearing)
 -10~55°C (Sleeve)
 Service Life: 70000hours @40°C (Ball bearing)
 30000hours @40°C (Sleeve)
 Weight: 301.5g
 Option: Customized IP67 protection level

Engineering Drawing (mm)



Air Performance



Available Functions

Motor protection

RP SS AS CL OVP




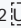
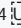
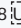
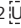


Signal output

FG RD RDB LD

Speed control mode

PWM TC VC CC CS

Specifications

Model	Voltage	Voltage Range	Current	Power	Speed	Maximum Air Flow	Maximum Air Pressure	Noise		
No.	VDC	VDC	A	W	RPM	m ³ /min	CFM	mmH ₂ O	INH ₂ O	dB(A)
GD12038L12 	12	6.0 to 13.5	0.3	3.6						
GD12038L24 	24	18 to 26.5	0.12	2.88	2500	2.7	95.54	5.24	0.21	41.8
GD12038L48 	48	36 to 54	0.08	3.84						
GD12038M12 	12	6.0 to 13.5	0.7	8.4						
GD12038M24 	24	18 to 26.5	0.32	7.68	3500	3.78	133.54	10.37	0.41	50.4
GD12038M48 	48	36 to 54	0.18	8.64						
GD12038H12 	12	6.0 to 13.5	1.5	18						
GD12038H24 	24	18 to 26.5	0.7	16.8	4500	4.86	171.70	17.14	0.67	56.4
GD12038H48 	48	36 to 54	0.4	19.2						

GD12038 XPressure Series

120x120x38mm (4.7"x4.7"x1.5")

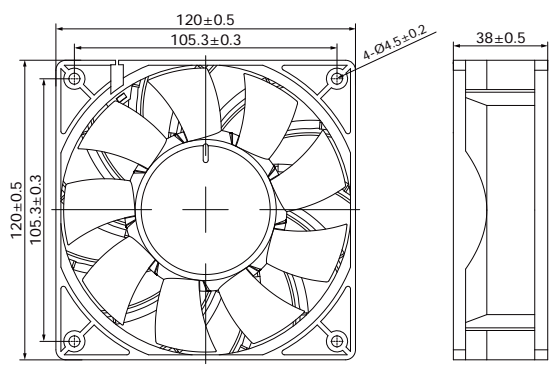


XPressure Series

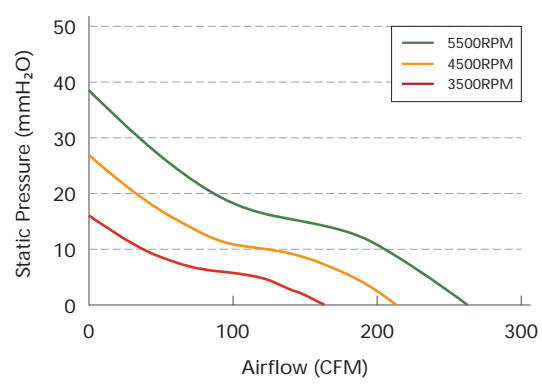
Fan Frame: Thermoplastic PBT UL 94V-0
 Fan Impeller: Thermoplastic PBT UL 94V-0
 Bearing system: Ball bearing
 Operation Temp: -30~70°C
 Service Life: 70000hours @40°C
 Weight: 301.5g

DC Axial Fan - GD Series
DC Radial Fan - GRD Series
EC Axial Fan - GE Series

Engineering Drawing (mm)



Air Performance



Available Functions

Motor protection					Signal output				Speed control mode				
RP	SS	AS	CL	OVP	FG	RD	RDB	LD	PWM	TC	VC	CC	CS
●	●	●	○	○	●	●	○	○	●	○	○	○	○

Specifications

Model	Voltage	Voltage Range	Current	Power	Speed	Maximum Air Flow	Maximum Air Pressure	Noise		
No.	VDC	VDC	A	W	RPM	m ³ /min	CFM	mmH ₂ O	INH ₂ O	dB(A)
GD12038L12	12	6.0 to 13.5	0.8	9.6						
GD12038L24	24	18 to 26.5	0.4	9.6	3500	4.40	155.64	13.9	0.55	55.6
GD12038L48	48	36 to 54	0.2	9.6						
GD12038M12	12	6.0 to 13.5	1.8	21.6						
GD12038M24	24	18 to 26.5	0.9	21.6	4500	5.66	200.15	22.98	0.9	63.6
GD12038M48	48	36 to 54	0.45	21.6						
GD12038H12	12	6.0 to 13.5	3	36						
GD12038H24	24	18 to 26.5	1.5	36	5500	6.92	244.57	34.32	1.35	68.4
GD12038H48	48	36 to 54	0.75	36						

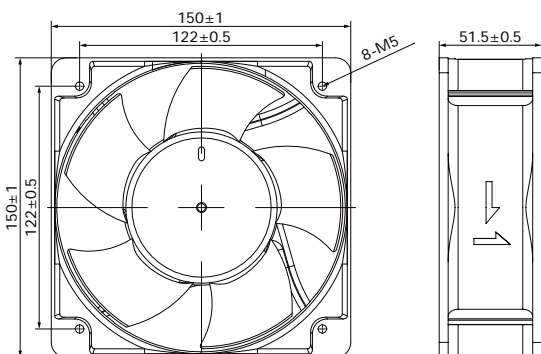
GD15050 Series

150x150x50mm (5.9"x5.9"x2")

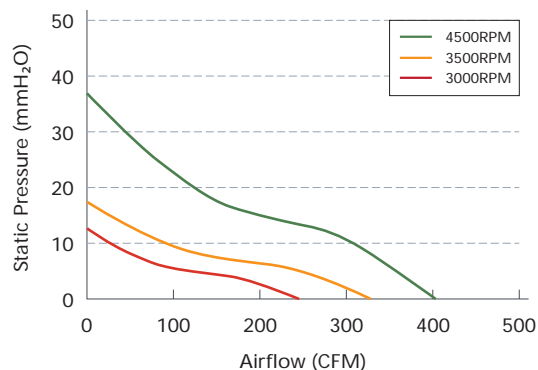


Fan Frame:	Aluminum ADC-12, Painted Black
Fan Impeller:	Thermoplastic PBT UL 94V-0
Bearing system:	Ball bearing
Operation Temp:	-30~70°C
Service Life:	70000hours @40°C
Weight:	700g

Engineering Drawing (mm)



Air Performance



Available Functions

Motor protection

RP	SS	AS	CL	OVP
●	●	●	○	○

Signal output

FG	RD	RDB	LD
●	●	○	○

Speed control mode

PWM	TC	VC	CC	CS
●	○	○	○	○

Specifications

Model	Voltage	Voltage Range	Current	Power	Speed	Maximum Air Flow	Maximum Air Pressure	Noise		
No.	VDC	VDC	A	W	RPM	m ³ /min	CFM	mmH ₂ O	INH ₂ O	dB(A)
GD15050L12	12	6.0 to 13.5	1.1	13.20						
GD15050L24	24	18 to 26.5	0.52	12.48	3000	6.25	220.94	12.81	0.5	56.7
GD15050L48	48	36 to 54	0.27	12.96						
GD15050M12	12	6.0 to 13.5	1.7	20.4						
GD15050M24	24	18 to 26.5	0.82	19.68	3500	7.29	257.52	19.6	0.77	60.4
GD15050M48	48	36 to 54	0.4	19.2						
GD15050H12	12	6.0 to 13.5	3.60	43.20						
GD15050H24	24	18 to 26.5	1.74	41.76	4500	9.38	331.41	28.83	1.14	66.4
GD15050H48	48	36 to 54	0.88	42.24						

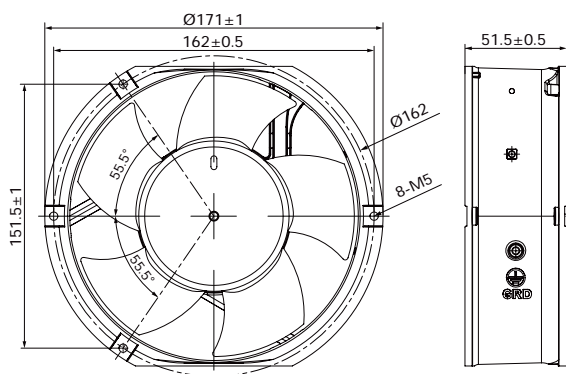
GD17250 Series

172x150x51mm (6.8"x5.9"x2")

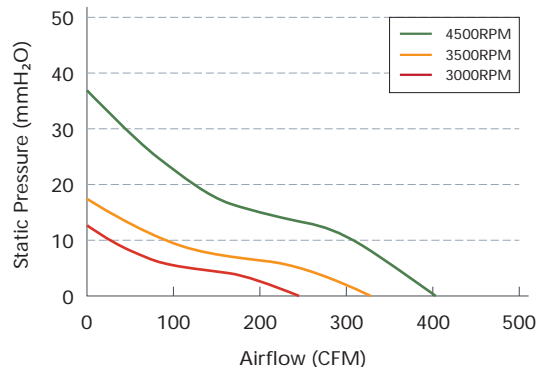


Fan Frame: Aluminum ADC-12, Painted Black
 Fan Impeller: Thermoplastic PBT UL 94V-0
 Bearing system: Ball bearing
 Operation Temp: -30~70°C
 Service Life: 70000hours @40°C
 Weight: 655g

Engineering Drawing (mm)



Air Performance



Available Functions

Motor protection

RP SS AS CL OVP

Signal output

FG RD RDB LD

Speed control mode

PWM TC VC CC CS

Specifications

Model	Voltage	Voltage Range	Current	Power	Speed	Maximum Air Flow	Maximum Air Pressure	Noise		
No.	VDC	VDC	A	W	RPM	m ³ /min	CFM	mmH ₂ O	INH ₂ O	dB(A)
GD17250L12	12	6.0 to 13.5	1.1	13.2						
GD17250L24	24	18 to 26.5	0.52	12.48	3000	6.25	220.94	12.81	0.5	56.7
GD17250L48	48	36 to 54	0.27	12.96						
GD17250M12	12	6.0 to 13.5	1.7	20.4						
GD17250M24	24	18 to 26.5	0.82	19.68	3500	7.29	257.52	19.60	0.77	60.4
GD17250M48	48	36 to 54	0.4	19.2						
GD17250H12	12	6.0 to 13.5	3.6	43.20						
GD17250H24	24	18 to 26.5	1.74	41.76	4500	9.38	331.41	28.83	1.14	66.4
GD17250H48	48	36 to 54	0.88	42.24						

GD17250 XSpeed

172x150x51mm (6.8"x5.9"x2")

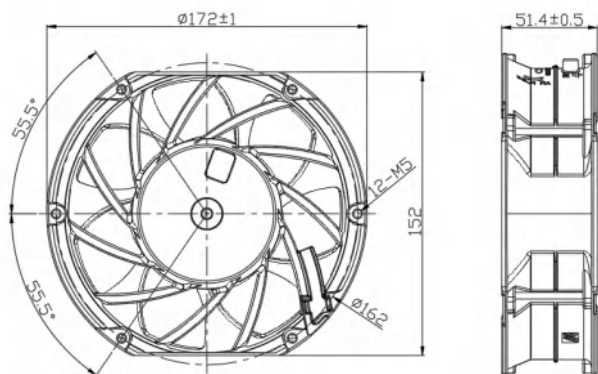


NEW

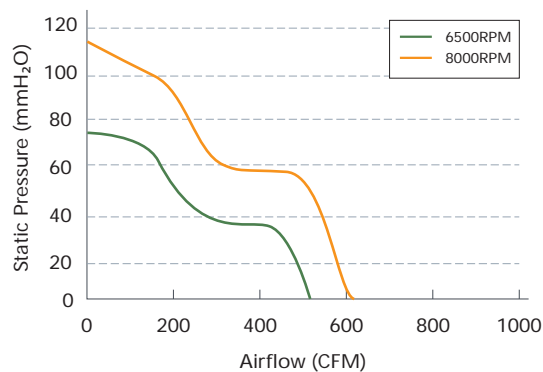
XSpeed Series

Fan Frame: Aluminum ADC-12, Painted Black
 Fan Impeller: PA66 Nylon
 Bearing system: Ball bearing
 Operation Temp: -30~70°C
 Service Life: 70000hours @40°C
 Weight: 820g

Engineering Drawing (mm)



Air Performance



Available Functions

Motor protection

RP	SS	AS	CL	OVP
●	●	●	○	○

Signal output

FG	RD	RDB	LD
●	●	○	○

Speed control mode

PWM	TC	VC	CC	CS
●	○	○	○	○

Specifications

Model	Voltage	Voltage Range	Current	Power	Speed	Maximum Air Flow	Maximum Air Pressure	Noise		
No.	VDC	VDC	A	W	RPM	m ³ /min	CFM	mmH ₂ O	INH ₂ O	dB(A)
GD17250M24B XSpeed	24	18 to 26.5	6.5	156	6500	14.83	490	72.79	2.87	71
GD17250H48B XSpeed	48	36 to 54	5.1	245	8000	18.25	605	110.26	4.34	75

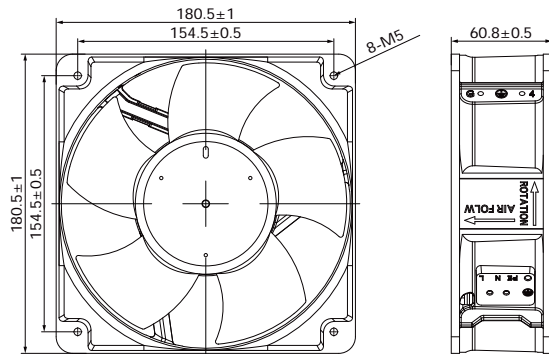
GD18060 Series

180x180x60mm (7"x7"x2.4")

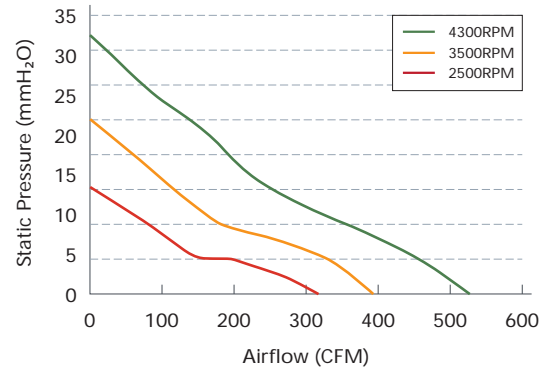


Fan Frame: Aluminum ADC-12, Painted Black
 Fan Impeller: Thermoplastic PBT UL 94V-0
 Bearing system: Ball bearing
 Operation Temp: -30~70°C
 Service Life: 70000hours @40°C
 Weight: 925g

Engineering Drawing (mm)



Air Performance



Available Functions

Motor protection

RP SS AS CL OVP

Signal output

FG RD RDB LD

Speed control mode

PWM TC VC CC CS

Specifications

Model	Voltage	Voltage Range	Current	Power	Speed	Maximum Air Flow	Maximum Air Pressure	Noise		
No.	VDC	VDC	A	W	RPM	m ³ /min	CFM	mmH ₂ O	INH ₂ O	dB(A)
GD18060L12	12	6.0 to 13.5	2.5	30						
GD18060L24	24	18 to 26.5	1.5	36	2500	8.93	315.39	13.18	0.52	55.8
GD18060L48	48	36 to 54	0.8	38.4						
GD18060M12	12	6.0 to 13.5	4	48						
GD18060M24	24	18 to 26.5	2	48	3500	11.1	392.03	21.71	0.86	64.9
GD18060M48	48	36 to 54	1.2	57.6						
GD18060H12	12	6.0 to 13.5	6	72						
GD18060H24	24	18 to 26.5	4	96	4300	14.88	525.26	32.36	1.27	69.3
GD18060H48	48	36 to 54	2	96						

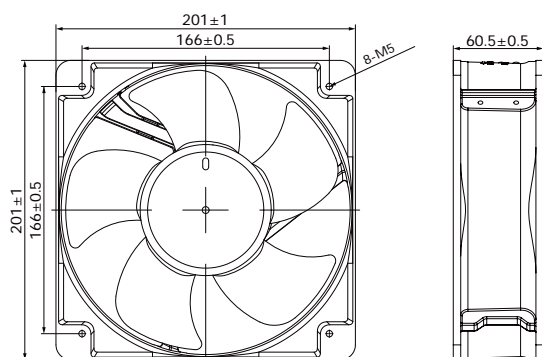
GD20060 Series

200x200x60mm (7.9"x7.9"x2.4")

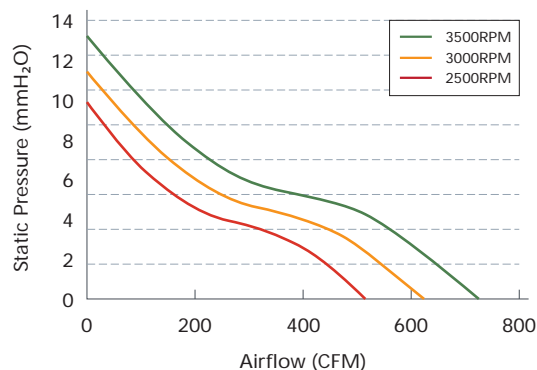


Fan Frame: Aluminum ADC-12, Painted Black
 Fan Impeller: Thermoplastic PBT UL 94V-0
 Bearing system: Ball bearing
 Operation Temp: -30~70°C
 Service Life: 70000hours @40°C
 Weight: 1038g

Engineering Drawing (mm)



Air Performance



Available Functions

Motor protection

RP	SS	AS	CL	OVP
<input checked="" type="radio"/>	<input checked="" type="radio"/>	<input checked="" type="radio"/>	<input type="radio"/>	<input type="radio"/>

Signal output

FG	RD	RDB	LD
<input checked="" type="radio"/>	<input checked="" type="radio"/>	<input type="radio"/>	<input type="radio"/>

Speed control mode

PWM	TC	VC	CC	CS
<input checked="" type="radio"/>	<input type="radio"/>	<input type="radio"/>	<input type="radio"/>	<input type="radio"/>

Specifications

Model	Voltage	Voltage Range	Current	Power	Speed	Maximum Air Flow	Maximum Air Pressure	Noise		
No.	VDC	VDC	A	W	RPM	m ³ /min	CFM	mmH ₂ O	INH ₂ O	dB(A)
GD20060L12	12	6.0 to 13.5	2.15	25.8						
GD20060L24	24	18 to 26.5	1	24	2500	11.33	400.42	11.14	0.44	59.7
GD20060L48	48	36 to 54	0.52	24.96						
GD20060M12	12	6.0 to 13.5	3.6	43.2						
GD20060M24	24	18 to 26.5	1.76	42.24	3000	13.6	480.5	16.04	0.63	64.1
GD20060M48	48	36 to 54	0.9	43.2						
GD20060H12	12	6.0 to 13.5	5.7	68.4						
GD20060H24	24	18 to 26.5	2.8	67.2	3500	15.86	560.58	21.83	0.86	67.8
GD20060H48	48	36 to 54	1.37	65.76						

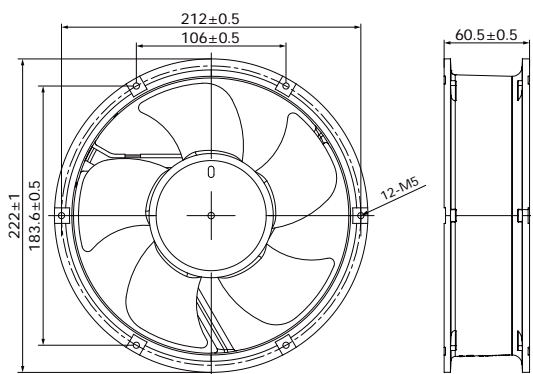
GD22060 Series

Ø220x60mm (Ø8.7"x2.4")

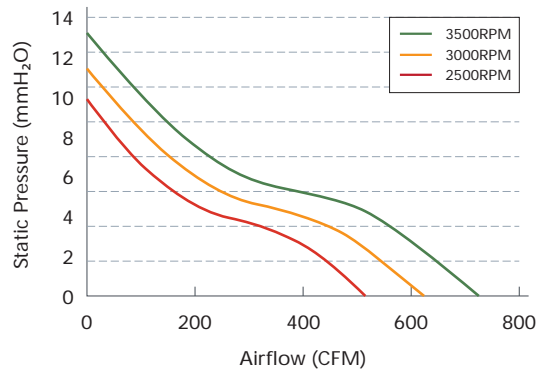


Fan Frame: Aluminum ADC-12, Painted Black
 Fan Impeller: Thermoplastic PBT UL 94V-0
 Bearing system: Ball bearing
 Operation Temp: -30~70°C
 Service Life: 70000hours @40°C
 Weight: 1038g

Engineering Drawing (mm)



Air Performance



Available Functions

Motor protection

RP	SS	AS	CL	OVP
<input checked="" type="checkbox"/>	<input checked="" type="checkbox"/>	<input checked="" type="checkbox"/>	<input type="checkbox"/>	<input type="checkbox"/>

Signal output

FG	RD	RDB	LD
<input checked="" type="checkbox"/>	<input checked="" type="checkbox"/>	<input type="checkbox"/>	<input type="checkbox"/>

Speed control mode

PWM	TC	VC	CC	CS
<input checked="" type="checkbox"/>	<input type="checkbox"/>	<input type="checkbox"/>	<input type="checkbox"/>	<input type="checkbox"/>

Specifications

Model	Voltage	Voltage Range	Current	Power	Speed	Maximum Air Flow	Maximum Air Pressure	Noise		
No.	VDC	VDC	A	W	RPM	m ³ /min	CFM	mmH ₂ O	INH ₂ O	dB(A)
GD22060L12	12	6.0 to 13.5	2.15	25.8						
GD22060L24	24	18 to 26.5	1	24	2500	11.33	400.42	11.14	0.44	59.7
GD22060L48	48	36 to 54	0.52	24.96						
GD22060M12	12	6.0 to 13.5	3.6	43.2						
GD22060M24	24	18 to 26.5	1.76	42.24	3000	13.6	480.5	16.04	0.63	64.1
GD22060M48	48	36 to 54	0.9	43.2						
GD22060H12	12	6.0 to 13.5	5.7	68.4						
GD22060H24	24	18 to 26.5	2.8	67.2	3500	15.86	560.58	21.83	0.86	67.8
GD22060H48	48	36 to 54	1.37	65.76						

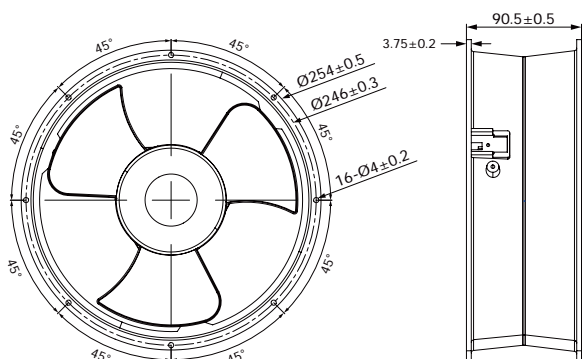
GD25489 Series

Ø254x89mm (Ø10"x3.5")

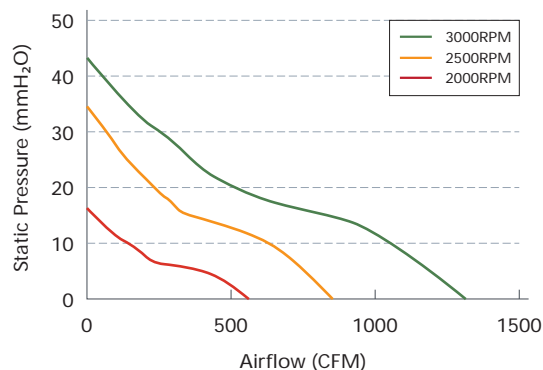


Fan Frame: Aluminum ADC-12, Painted Black
 Fan Impeller: Thermoplastic PBT UL 94V-0
 Bearing system: Ball bearing
 Operation Temp: -30~70°C
 Service Life: 70000hours @40°C
 Weight: 2600g

Engineering Drawing (mm)



Air Performance



Available Functions

Motor protection

RP	SS	AS	CL	OVP
●	●	●	○	○

Signal output

FG	RD	RDB	LD
●	●	○	○

Speed control mode

PWM	TC	VC	CC	CS
●	○	○	○	○

Specifications

Model	Voltage	Voltage Range	Current	Power	Speed	Maximum Air Flow	Maximum Air Pressure	Noise		
No.	VDC	VDC	A	W	RPM	m ³ /min	CFM	mmH ₂ O	INH ₂ O	dB(A)
GD25489L12	12	6.0 to 13.5	3.5	42						
GD25489L24	24	18 to 26.5	1.5	36	2000	16	565	16.4	0.65	63.8
GD25489L48	48	36 to 54	0.8	38.4						
GD25489M24	24	18 to 26.5	3.7	88.8	3000	24.5	864	34.4	1.35	73.5
GD25489M48	48	36 to 54	1.9	91.2						
GD25489H24	24	18 to 26.5	7.8	187.2	4000	37.4	1321	43	1.7	90
GD25489H48	48	36 to 54	4	192						

GRD Series - DC Radial Fan



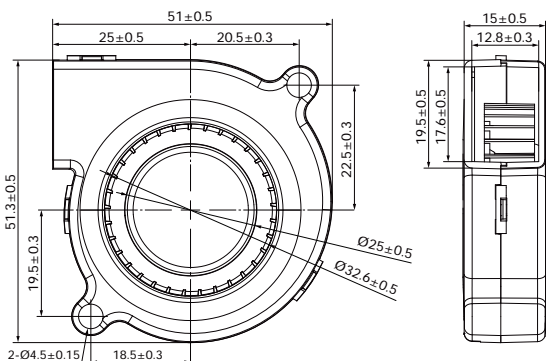
GRD5015 Series

50x50x15mm (2"x2"x0.6")

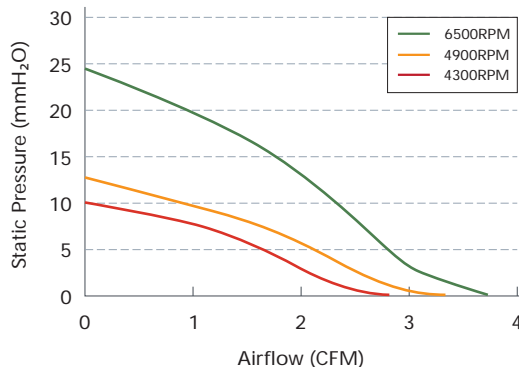


Fan Frame:	Thermoplastic PBT UL 94V-0
Fan Impeller:	Thermoplastic PBT UL 94V-0
Bearing system:	Ball bearing and Sleeve bearing available
Operation Temp:	-30~70°C (Ball bearing) -10~55°C (Sleeve bearing)
Service Life:	70000hours @40°C (Ball bearing) 30000hours @40°C (Sleeve bearing)
Weight:	26.7g

Engineering Drawing (mm)



Air Performance



Available Functions

Motor protection

RP	SS	AS	CL	OVP
●	●	●	○	○

Signal output

FG	RD	RDB	LD
●	●	○	○

Speed control mode

PWM	TC	VC	CC	CS
●	○	○	○	○

Specifications

Model	Voltage	Voltage Range	Current	Power	Speed	Maximum Air Flow	Maximum Air Pressure	Noise		
No.	VDC	VDC	A	W	RPM	m ³ /min	CFM	mmH ₂ O	INH ₂ O	dB(A)
GRD5015L05	5	3.6 to 6.8	0.1	0.5	4000	0.08	2.74	2.11	0.08	50.9
GRD5015L12	12	6.0 to 13.5	0.04	0.48	5000	0.1	3.43	3.29	0.13	56.3
GRD5015M05	5	3.6 to 6.8	0.16	0.8	6500	0.13	4.45	5.56	0.22	62.5
GRD5015M12	12	6.0 to 13.5	0.07	0.84	4000	0.08	2.74	2.11	0.08	50.9
GRD5015M24	24	18 to 26.5	0.04	0.96	5000	0.1	3.43	3.29	0.13	56.3
GRD5015H12	12	6.0 to 13.5	0.16	1.92	6500	0.13	4.45	5.56	0.22	62.5
GRD5015H24	24	18 to 26.5	0.08	1.92	6500	0.13	4.45	5.56	0.22	62.5

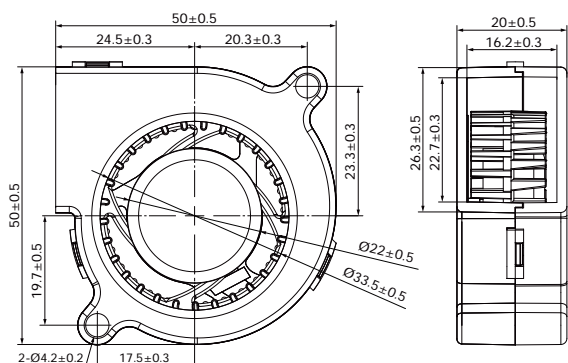
GRD5020 Series

50x50x20mm (2"x2"x0.8")

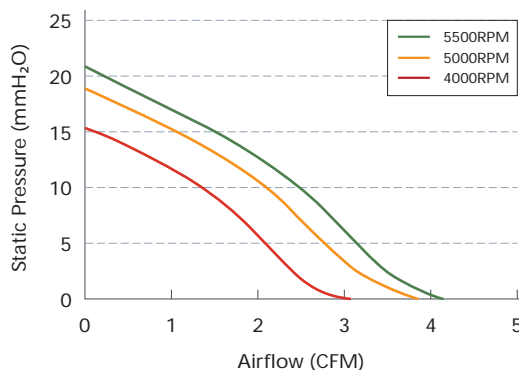


Fan Frame: Thermoplastic PBT UL 94V-0
 Fan Impeller: Thermoplastic PBT UL 94V-0
 Bearing system: Ball bearing
 Operation Temp: -30~70°C
 Service Life: 70000hours @40°C
 Weight: 31.6g

Engineering Drawing (mm)



Air Performance



Available Functions

Motor protection

RP	SS	AS	CL	OVP
●	●	●	○	○

Signal output

FG	RD	RDB	LD
●	●	○	○

Speed control mode

PWM	TC	VC	CC	CS
●	○	○	○	○

Specifications

Model	Voltage	Voltage Range	Current	Power	Speed	Maximum Air Flow	Maximum Air Pressure	Noise		
No.	VDC	VDC	A	W	RPM	m ³ /min	CFM	mmH ₂ O	INH ₂ O	dB(A)
GRD5020L05	5	3.6 to 6.8	0.17	0.85						
GRD5020L12	12	6.0 to 13.5	0.14	1.68	4000	0.081	3.09	15.222	0.599	32.1
GRD5020L24	24	18 to 26.5	0.07	1.68						
GRD5020M05	5	3.6 to 6.8	0.39	1.95						
GRD5020M12	12	6.0 to 13.5	0.19	2.28	5000	0.109	3.87	19.028	0.749	37
GRD5020M24	24	18 to 26.5	0.11	2.64						
GRD5020H12	12	6.0 to 13.5	0.23	2.76						
GRD5020H24	24	18 to 26.5	0.15	3.6	5500	0.121	4.26	20.931	0.824	39.6

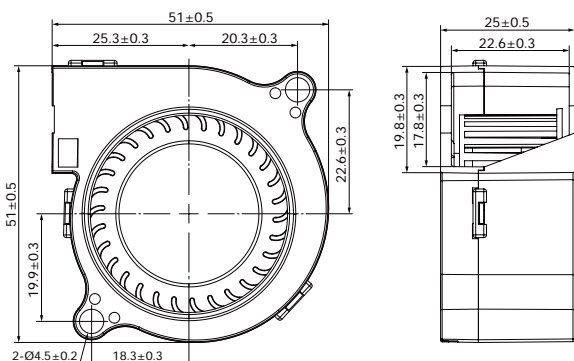
GRD5025 Series

50x50x25mm (2"x2"x1")

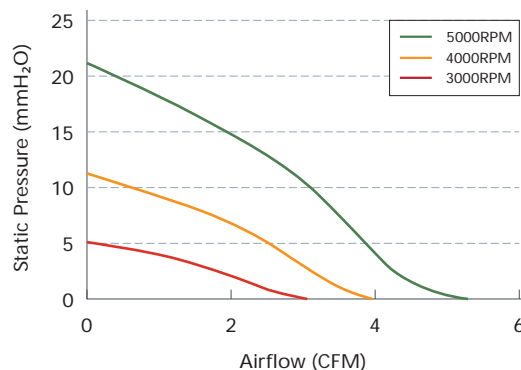


Fan Frame:	Thermoplastic PBT UL 94V-0
Fan Impeller:	Thermoplastic PBT UL 94V-0
Bearing system:	Ball bearing
Operation Temp:	-30~70°C
Service Life:	70000hours @40°C
Weight:	26.3g

Engineering Drawing (mm)



Air Performance



Available Functions

Motor protection

RP	SS	AS	CL	OVP
●	●	●	○	○

Signal output

FG	RD	RDB	LD
●	●	○	○

Speed control mode

PWM	TC	VC	CC	CS
●	○	○	○	○

Specifications

Model	Voltage	Voltage Range	Current	Power	Speed	Maximum Air Flow	Maximum Air Pressure	Noise		
No.	VDC	VDC	A	W	RPM	m ³ /min	CFM	mmH ₂ O	INH ₂ O	dB(A)
GRD5025L05	5	3.6 to 6.8	0.16	0.8	3000	0.087	3.09	5.222	0.206	34.5
GRD5025L12	12	6.0 to 13.5	0.11	1.32	3000	0.087	3.09	5.222	0.206	34.5
GRD5025M05	5	3.6 to 6.8	0.35	1.75	4000	0.113	3.993	11.24	0.442	40.3
GRD5025M12	12	6.0 to 13.5	0.2	2.4	4000	0.113	3.993	11.24	0.442	40.3
GRD5025M24	24	18 to 26.5	0.1	2.4	4000	0.113	3.993	11.24	0.442	40.3
GRD5025H12	12	6.0 to 13.5	0.25	3	5000	0.151	5.305	20.801	0.819	46.2
GRD5025H24	24	18 to 26.5	0.12	2.88	5000	0.151	5.305	20.801	0.819	46.2

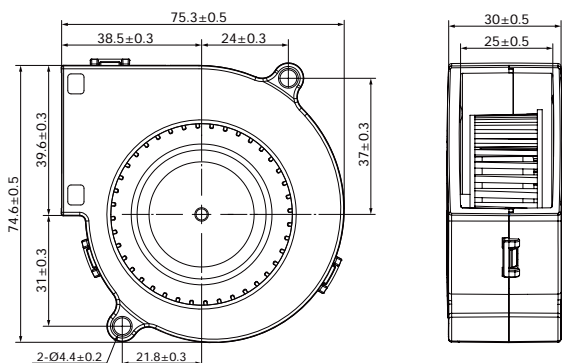
GRD7530 Series

75x75x30mm (3"x3"x1.2")

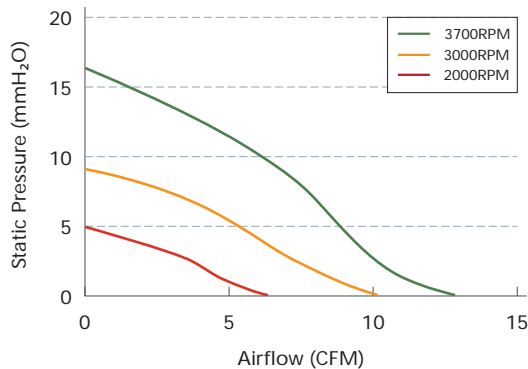


Fan Frame: Thermoplastic PBT UL 94V-0
 Fan Impeller: Thermoplastic PBT UL 94V-0
 Bearing system: Ball bearing and Sleeve bearing available
 Operation Temp: -30~70°C (Ball bearing)
 -10~55°C (Sleeve bearing)
 Service Life: 70000hours @40°C (Ball bearing)
 30000hours @40°C (Sleeve bearing)
 Weight: 78.5g

Engineering Drawing (mm)



Air Performance



Available Functions

Motor protection

RP SS AS CL OVP

Signal output

FG RD RDB LD

Speed control mode

PWM TC VC CC CS

Specifications

Model	Voltage	Voltage Range	Current	Power	Speed	Maximum Air Flow	Maximum Air Pressure	Noise		
No.	VDC	VDC	A	W	RPM	m ³ /min	CFM	mmH ₂ O	INH ₂ O	dB(A)
GRD7530L12	12	6.0 to 13.5	0.06	0.72	2000	0.22	7.81	6.85	0.27	28.6
GRD7530L24	24	18 to 26.5	0.03	0.72						
GRD7530M12	12	6.0 to 13.5	0.2	2.4	3000	0.33	11.72	15.41	0.61	38.2
GRD7530M24	24	18 to 26.5	0.1	2.4						
GRD7530M48	48	36 to 54	0.05	2.4						
GRD7530H24	24	18 to 26.5	0.2	4.8	3700	0.41	14.46	23.45	0.92	43.3
GRD7530H48	48	36 to 54	0.1	4.8						

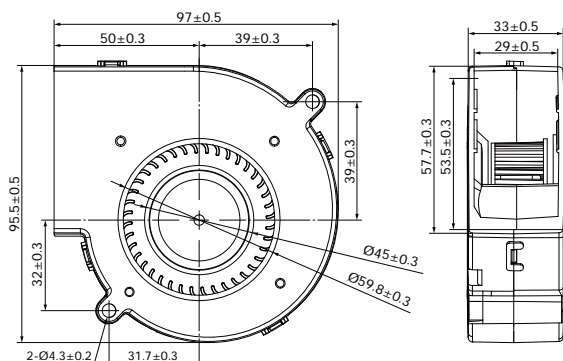
GRD9733 Series

97x97x33mm (3.8"x3.8"x1.3")

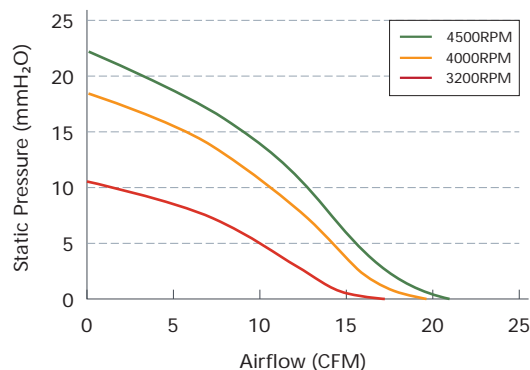


Fan Frame: Thermoplastic PBT UL 94V-0
 Fan Impeller: Thermoplastic PBT UL 94V-0
 Bearing system: Ball bearing
 Operation Temp: -30~70°C
 Service Life: 70000hours @40°C
 Weight: 168.3g

Engineering Drawing (mm)



Air Performance



Available Functions

Motor protection

RP	SS	AS	CL	OVP
●	●	●	○	○

Signal output

FG	RD	RDB	LD
●	●	○	○

Speed control mode

PWM	TC	VC	CC	CS
●	○	○	○	○

Specifications

Model	Voltage	Voltage Range	Current	Power	Speed	Maximum Air Flow	Maximum Air Pressure	Noise		
No.	VDC	VDC	A	W	RPM	m ³ /min	CFM	mmH ₂ O	INH ₂ O	dB(A)
GRD9733L12	12	6.0 to 13.5	0.14	1.68	2500	0.41	14.52	8.15	0.32	39.3
GRD9733L24	24	18 to 26.5	0.07	1.68	2500	0.41	14.52	8.15	0.32	39.3
GRD9733M12	12	6.0 to 13.5	0.32	3.84	3500	0.58	20.59	15.75	0.62	49.2
GRD9733M24	24	18 to 26.5	0.16	3.84	3500	0.58	20.59	15.75	0.62	49.2
GRD9733H12	12	6.0 to 13.5	0.68	8.16	4500	0.74	26.14	26.39	1.04	53.3
GRD9733H24	24	18 to 26.5	0.35	8.4	4500	0.74	26.14	26.39	1.04	53.3

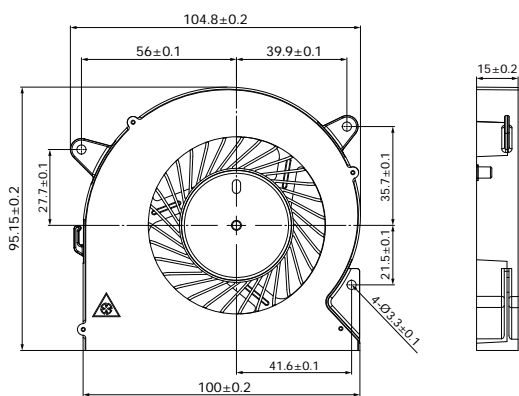
GRD10015 Series

100x95x15mm (3.9"x3.7"x0.6")

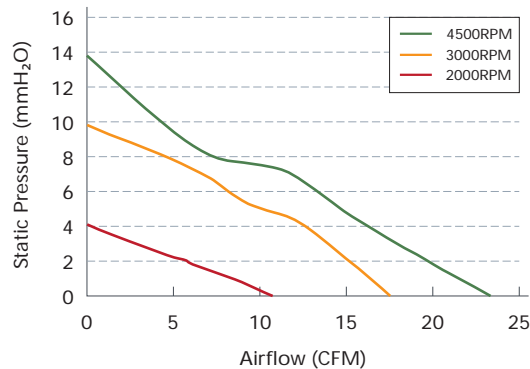


Fan Frame: Thermoplastic PBT UL 94V-0
 Fan Impeller: Thermoplastic PBT UL 94V-0
 Bearing system: Fluid bearing
 Operation Temp: -10~55°C
 Service Life: 30000hours @40°C
 Weight: 108g

Engineering Drawing (mm)



Air Performance



Available Functions

Motor protection

RP	SS	AS	CL	OVP
<input checked="" type="radio"/>	<input checked="" type="radio"/>	<input checked="" type="radio"/>	<input type="radio"/>	<input type="radio"/>

Signal output

FG	RD	RDB	LD
<input checked="" type="radio"/>	<input checked="" type="radio"/>	<input type="radio"/>	<input type="radio"/>

Speed control mode

PWM	TC	VC	CC	CS
<input checked="" type="radio"/>	<input type="radio"/>	<input type="radio"/>	<input type="radio"/>	<input type="radio"/>

Specifications

Model	Voltage	Voltage Range	Current	Power	Speed	Maximum Air Flow	Maximum Air Pressure	Noise		
No.	VDC	VDC	A	W	RPM	m ³ /min	CFM	mmH ₂ O	INH ₂ O	dB(A)
GRD10015L12	12	6.0 to 13.5	0.17	2.04	2000	0.3	10.65	4.06	0.16	30.5
GRD10015L24	24	18 to 26.5	0.12	2.88	2000	0.3	10.65	4.06	0.16	30.5
GRD10015M12	12	6.0 to 13.5	0.55	6.6	3000	0.49	17.58	9.78	0.39	40.2
GRD10015M24	24	18 to 26.5	0.28	6.72	3000	0.49	17.58	9.78	0.39	40.2
GRD10015H12	12	6.0 to 13.5	0.7	8.4	4000	0.66	23.28	13.78	0.54	47.1
GRD10015H24	24	18 to 26.5	0.32	7.68	4000	0.66	23.28	13.78	0.54	47.1

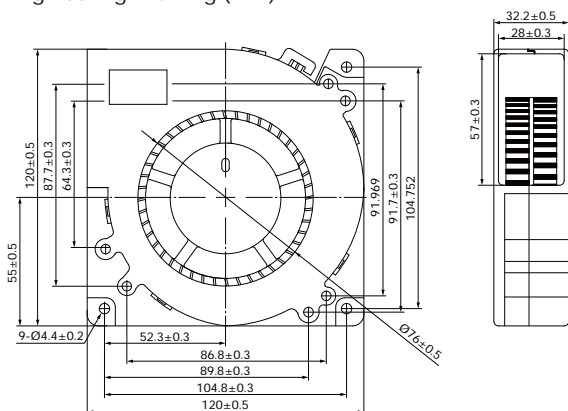
GRD12032 Series

120x120x32mm (4.7"x4.7"x1.3")

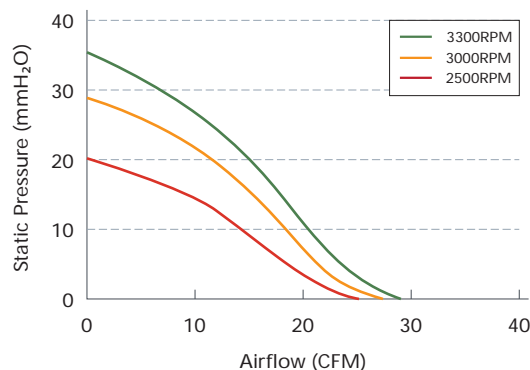


Fan Frame: Thermoplastic PBT UL 94V-0
 Fan Impeller: Thermoplastic PBT UL 94V-0
 Bearing system: Ball bearing
 Operation Temp: -30~70°C
 Service Life: 70000hours @40°C
 Weight: 219.7g

Engineering Drawing (mm)



Air Performance



Available Functions

Motor protection

RP	SS	AS	CL	OVP
●	●	●	○	○

Signal output

FG	RD	RDB	LD
●	●	○	○

Speed control mode

PWM	TC	VC	CC	CS
●	○	○	○	○

Specifications

Model	Voltage	Voltage Range	Current	Power	Speed	Maximum Air Flow	Maximum Air Pressure	Noise		
No.	VDC	VDC	A	W	RPM	m ³ /min	CFM	mmH ₂ O	INH ₂ O	dB(A)
GRD12032L12	12	6.0 to 13.5	0.4	4.8	2500	0.69	24.50	16.42	0.65	47.6
GRD12032L24	24	18 to 26.5	0.2	4.8						
GRD12032M12	12	6.0 to 13.5	1	12	3000	0.83	29.43	25.64	1.01	52
GRD12032M24	24	18 to 26.5	0.5	12						
GRD12032M48	48	36 to 54	0.25	12						
GRD12032H12	12	6.0 to 13.5	1.1	13.2	3500	0.97	34.30	32.18	1.27	55.6
GRD12032H24	24	18 to 26.5	0.55	13.2						
GRD12032H48	48	36 to 54	0.28	13.44						

GE Series - EC Axial Fan

Excellence in energy-saving



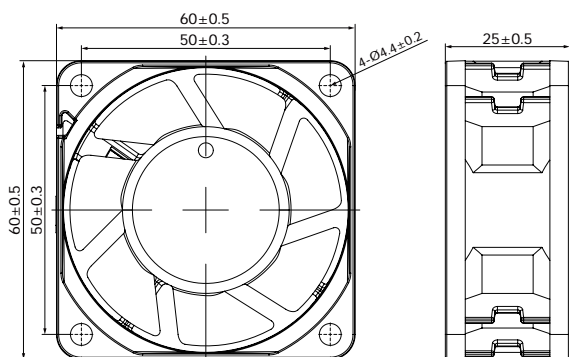
GE6025 Series

60x60x25mm (2.4"x2.4"x1")

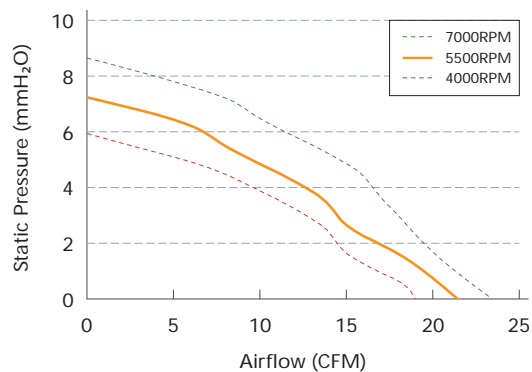


Fan Frame: Thermoplastic PBT UL 94V-0
 Fan Impeller: Thermoplastic PBT UL 94V-0
 Bearing system: Ball bearing and Sleeve bearing available
 Operation Temp: -30~70°C (Ball bearing)
 -10~55°C (Sleeve bearing)
 Service Life: 70000hours @40°C (Ball bearing)
 30000hours @40°C (Sleeve bearing)
 Weight: 61.2g

Engineering Drawing (mm)



Air Performance



Available Functions

Motor protection

RP	SS	AS	CL	OVP
<input type="radio"/>	<input type="radio"/>	<input checked="" type="radio"/>	<input type="radio"/>	<input type="radio"/>

Signal output

FG	RD	RDB	LD
<input type="radio"/>	<input type="radio"/>	<input type="radio"/>	<input type="radio"/>

Speed control mode

PWM	TC	VC	CC	CS
<input type="radio"/>	<input type="radio"/>	<input type="radio"/>	<input type="radio"/>	<input type="radio"/>

Specifications

Model	Voltage	Voltage Range	Freq.	Power	Speed	Maximum Air Flow	Maximum Air Pressure	Noise		
No.	VAC	VAC	Hz	W	RPM	m ³ /min	CFM	mmH ₂ O	INH ₂ O	dB(A)
GE6025M1/2	110/220	100~240	50/60	4.2	6000	0.78	27.6	8.04	0.32	43.1



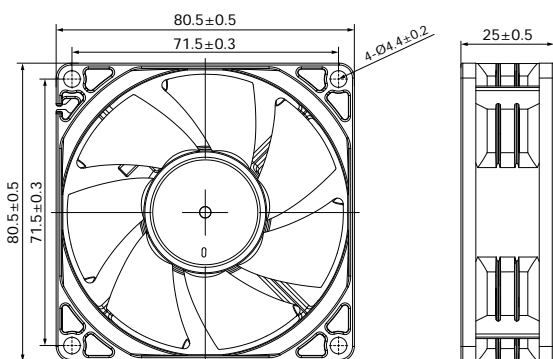
Xflow Series

GE8025 Xflow Series

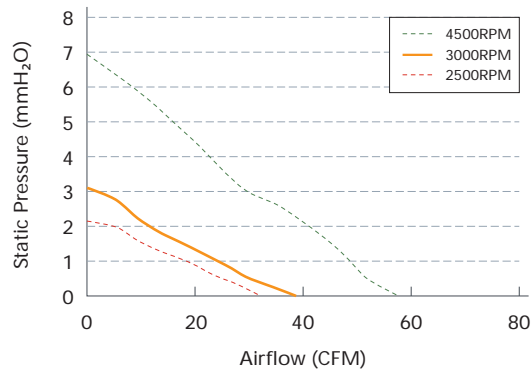
80x80x25mm (3.1"x3.1"x1")

Fan Frame:	Thermoplastic PBT UL 94V-0
Fan Impeller:	Thermoplastic PBT UL 94V-0
Bearing system:	Ball bearing and Sleeve bearing available
Operation Temp:	-30~70°C (Ball bearing) -10~55°C (Sleeve bearing)
Service Life:	70000hours @40°C (Ball bearing) 30000hours @40°C (Sleeve bearing)
Weight:	72g

Engineering Drawing (mm)



Air Performance



Available Functions

Motor protection

RP	SS	AS	CL	OVP
<input type="radio"/>	<input type="radio"/>	<input checked="" type="radio"/>	<input type="radio"/>	<input type="radio"/>

Signal output

FG	RD	RDB	LD
<input checked="" type="radio"/>	<input checked="" type="radio"/>	<input type="radio"/>	<input type="radio"/>

Speed control mode

PWM	TC	VC	CC	CS
<input checked="" type="radio"/>	<input type="radio"/>	<input type="radio"/>	<input type="radio"/>	<input type="radio"/>

Specifications

Model	Voltage	Voltage Range	Freq.	Power	Speed	Maximum Air Flow	Maximum Air Pressure	Noise		
No.	VAC	VAC	Hz	W	RPM	m ³ /min	CFM	mmH ₂ O	INH ₂ O	dB(A)
GE8025M1/2	110/220	100~240	50/60	4.8	3000	1.08	38.23	3.1	0.12	35.7

GE8038 XPressure Series

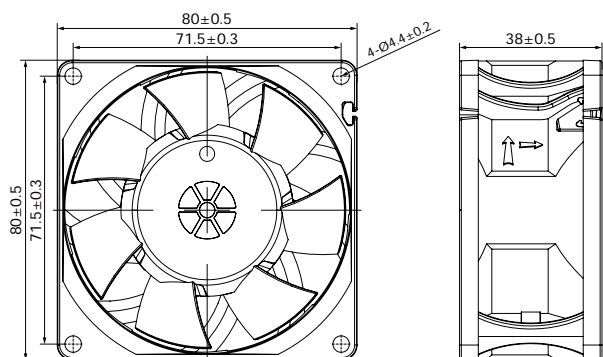
80x80x38mm (3.1"x3.1"x1.5")



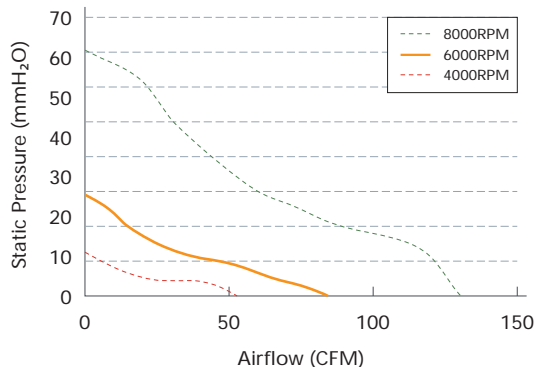
XPressure Series 增压框

Fan Frame:	Thermoplastic PBT UL 94V-0
Fan Impeller:	Thermoplastic PBT UL 94V-0
Bearing system:	Ball bearing
Operation Temp:	-30~70°C
Service Life:	70000hours @40°C
Weight:	177.6g

Engineering Drawing (mm)



Air Performance



Available Functions

Motor protection

RP	SS	AS	CL	OVP
<input type="radio"/>	<input type="radio"/>	<input checked="" type="radio"/>	<input type="radio"/>	<input type="radio"/>

Signal output

FG	RD	RDB	LD
<input checked="" type="radio"/>	<input checked="" type="radio"/>	<input type="radio"/>	<input type="radio"/>

Speed control mode

PWM	TC	VC	CC	CS
<input checked="" type="radio"/>	<input type="radio"/>	<input type="radio"/>	<input type="radio"/>	<input type="radio"/>

Specifications

Model	Voltage	Voltage Range	Freq.	Power	Speed	Maximum Air Flow	Maximum Air Pressure	Noise
No.	VAC	VAC	Hz	W	RPM	m ³ /min	mmH ₂ O	IN _H 2O
GE8038M1/2	110/220	100~240	50/60	12	6000	2	18.04	0.71
						70.73	18.04	56.9

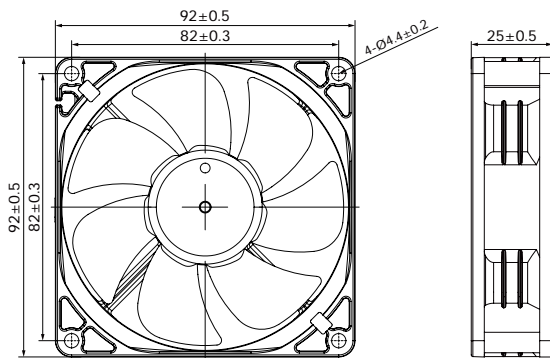
GE9225 Series

92x92x25mm (3.6"x3.6"x1")

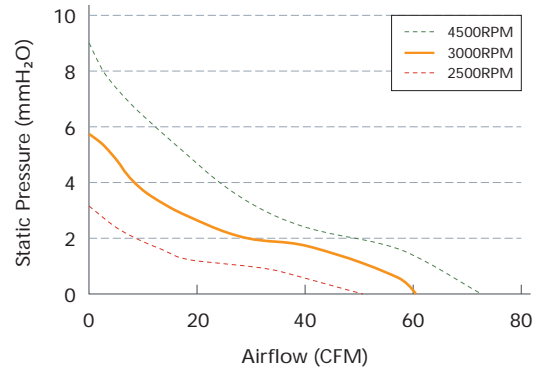


Fan Frame: Thermoplastic PBT UL 94V-0
 Fan Impeller: Thermoplastic PBT UL 94V-0
 Bearing system: Ball bearing and Sleeve bearing available
 Operation Temp: -30~70°C (Ball bearing)
 -10~55°C (Sleeve bearing)
 Service Life: 70000hours @40°C (Ball bearing)
 30000hours @40°C (Sleeve bearing)
 Weight: 102g

Engineering Drawing (mm)



Air Performance



Available Functions

Motor protection

RP	SS	AS	CL	OVP
<input type="radio"/>	<input type="radio"/>	<input checked="" type="radio"/>	<input type="radio"/>	<input type="radio"/>

Signal output

FG	RD	RDB	LD
<input type="radio"/>	<input type="radio"/>	<input type="radio"/>	<input type="radio"/>

Speed control mode

PWM	TC	VC	CC	CS
<input type="radio"/>	<input type="radio"/>	<input type="radio"/>	<input type="radio"/>	<input type="radio"/>

Specifications

Model	Voltage	Voltage Range	Freq.	Power	Speed	Maximum Air Flow	Maximum Air Pressure	Noise		
No.	VAC	VAC	Hz	W	RPM	m ³ /min	CFM	mmH ₂ O	INH ₂ O	dB(A)
GE9225M1/2	110/220	100~240	50/60	4	3500	1.51	53.3	4.42	0.17	38.5

GE9238 XPressure Series

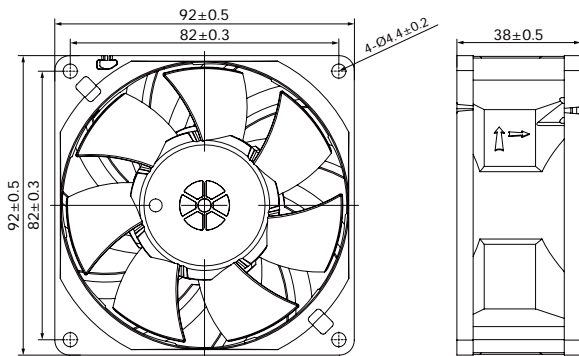
92x92x38mm (3.6"x3.6"x1.5")



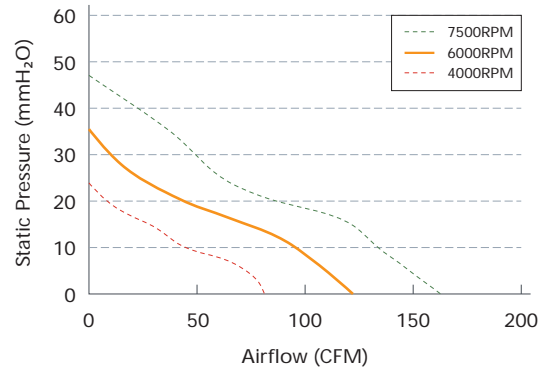
XPressure Series 增压框

Fan Frame:	Thermoplastic PBT UL 94V-0
Fan Impeller:	Thermoplastic PBT UL 94V-0
Bearing system:	Ball bearing
Operation Temp:	-30~70°C
Service Life:	70000hours @40°C
Weight:	202g

Engineering Drawing (mm)



Air Performance



Available Functions

Motor protection

RP	SS	AS	CL	OVP
<input type="radio"/>	<input type="radio"/>	<input checked="" type="radio"/>	<input type="radio"/>	<input type="radio"/>

Signal output

FG	RD	RDB	LD
<input checked="" type="radio"/>	<input checked="" type="radio"/>	<input type="radio"/>	<input type="radio"/>

Speed control mode

PWM	TC	VC	CC	CS
<input checked="" type="radio"/>	<input type="radio"/>	<input type="radio"/>	<input type="radio"/>	<input type="radio"/>

Specifications

Model	Voltage	Voltage Range	Freq.	Power	Speed	Maximum Air Flow	Maximum Air Pressure	Noise		
No.	VAC	VAC	Hz	W	RPM	m ³ /min	CFM	mmH ₂ O	INH ₂ O	dB(A)
GE9238M1/2	110/220	100~240	50/60	12	6000	2.86	100.98	20.69	0.81	56.6

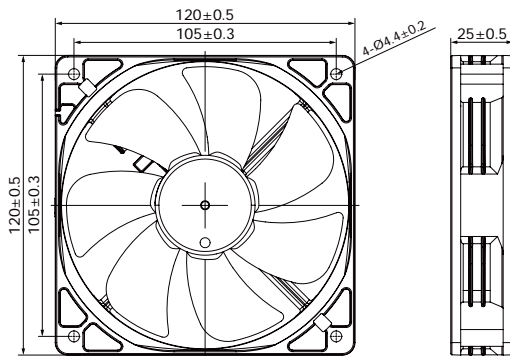
GE12025 Series

120x120x25mm (4.7"x4.7"x1")

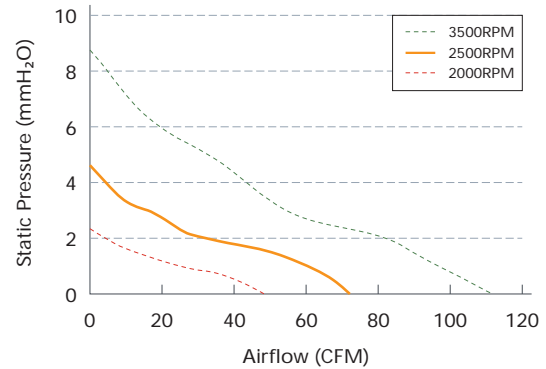


Fan Frame:	Thermoplastic PBT UL 94V-0
Fan Impeller:	Thermoplastic PBT UL 94V-0
Bearing system:	Ball bearing and Sleeve bearing available
Operation Temp:	-30~70°C (Ball bearing) -10~55°C (Sleeve bearing)
Service Life:	70000hours @40°C (Ball bearing) 30000hours @40°C (Sleeve bearing)
Weight:	121.3g

Engineering Drawing (mm)



Air Performance



Available Functions

Motor protection

RP	SS	AS	CL	OVP
<input type="radio"/>	<input type="radio"/>	<input checked="" type="radio"/>	<input type="radio"/>	<input type="radio"/>

Signal output

FG	RD	RDB	LD
<input checked="" type="radio"/>	<input checked="" type="radio"/>	<input type="radio"/>	<input type="radio"/>

Speed control mode

PWM	TC	VC	CC	CS
<input checked="" type="radio"/>	<input type="radio"/>	<input type="radio"/>	<input type="radio"/>	<input type="radio"/>

Specifications

Model	Voltage	Voltage Range	Freq.	Power	Speed	Maximum Air Flow	Maximum Air Pressure	Noise		
No.	VAC	VAC	Hz	W	RPM	m ³ /min	CFM	mmH ₂ O	INH ₂ O	dB(A)
GE12025M1/2	110/220	100~240	50/60	4	2500	2.13	75.29	4.02	0.16	42.4

DC Axial Fan - GD Series
DC Radial Fan - GRD Series
EC Axial Fan - GE Series

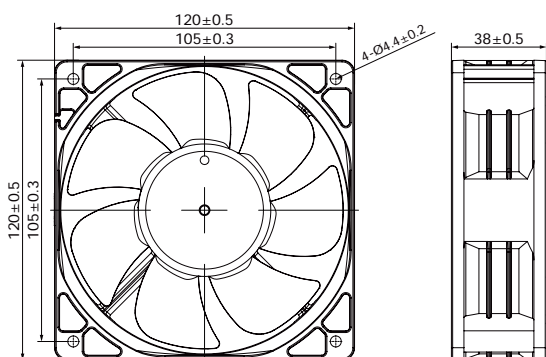
GE12038 Series

120x120x38mm (4.7"x4.7"x1.5")

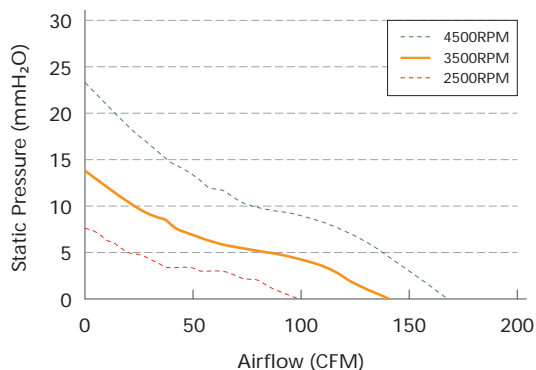


Fan Frame: Thermoplastic PBT UL 94V-0
 Fan Impeller: Thermoplastic PBT UL 94V-0
 Bearing system: Ball bearing and Sleeve bearing available
 Operation Temp: -30~70°C (Ball bearing)
 -10~55°C (Sleeve bearing)
 Service Life: 70000hours @40°C (Ball bearing)
 30000hours @40°C (Sleeve bearing)
 Weight: 301.5g

Engineering Drawing (mm)



Air Performance



Available Functions

Motor protection

RP SS AS CL OVP

Signal output

FG RD RDB LD

Speed control mode

PWM TC VC CC CS

Specifications

Model	Voltage	Voltage Range	Freq.	Power	Speed	Maximum Air Flow	Maximum Air Pressure	Noise		
No.	VAC	VAC	Hz	W	RPM	m ³ /min	CFM	mmH ₂ O	INH ₂ O	dB(A)
GE12038L 1/2	110/220	100~240	50/60	5	2000	2.16	76.31	3.39	0.13	37
GE12038M1/2	110/220	100~240	50/60	8	3000	3.24	114.47	7.62	0.3	46.7
GE12038H1/2	110/220	100~240	50/60	18	4000	4.32	152.62	13.54	0.53	53.7

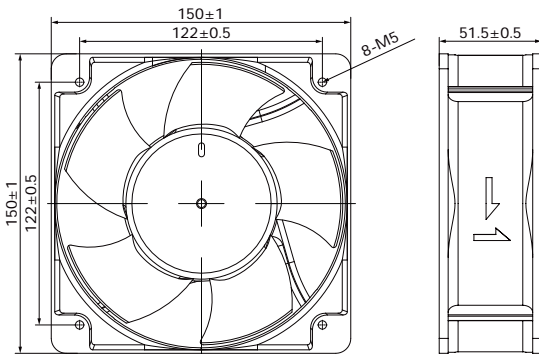
GE15050 Series

150x150x50mm (5.9"x5.9"x2")

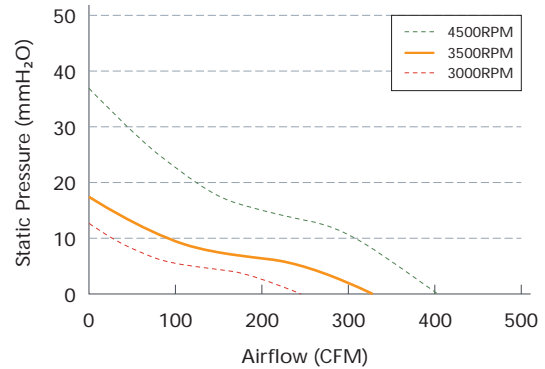


Fan Frame: Aluminum ADC-12, Painted Black
 Fan Impeller: Thermoplastic PBT UL 94V-0
 Bearing system: Ball bearing
 Operation Temp: -30~70°C
 Service Life: 70000hours @40°C
 Weight: 700g

Engineering Drawing (mm)



Air Performance



Available Functions

Motor protection

RP	SS	AS	CL	OVP
<input type="radio"/>	<input type="radio"/>	<input checked="" type="radio"/>	<input type="radio"/>	<input type="radio"/>

Signal output

FG	RD	RDB	LD
<input checked="" type="radio"/>	<input checked="" type="radio"/>	<input type="radio"/>	<input type="radio"/>

Speed control mode

PWM	TC	VC	CC	CS
<input checked="" type="radio"/>	<input type="radio"/>	<input type="radio"/>	<input type="radio"/>	<input type="radio"/>

Specifications

Model	Voltage	Voltage Range	Freq.	Power	Speed	Maximum Air Flow	Maximum Air Pressure	Noise		
No.	VAC	VAC	Hz	W	RPM	m ³ /min	CFM	mmH ₂ O	INH ₂ O	dB(A)
GE15050M110	110	100/125	50/60	25	3500	7.29	257.52	19.6	0.77	60.4
GE15050M220	220	200/240	50/60	25						

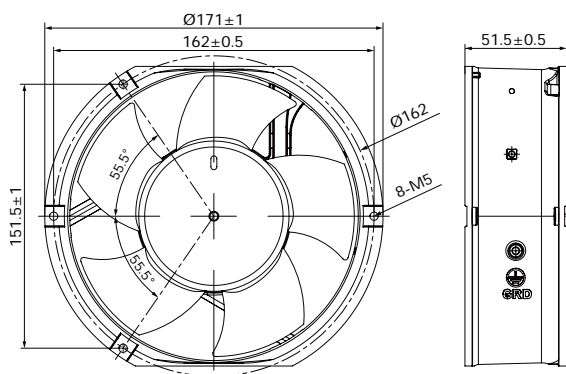
GE17250 Series

172x150x51mm (6.8"x5.9"x2")

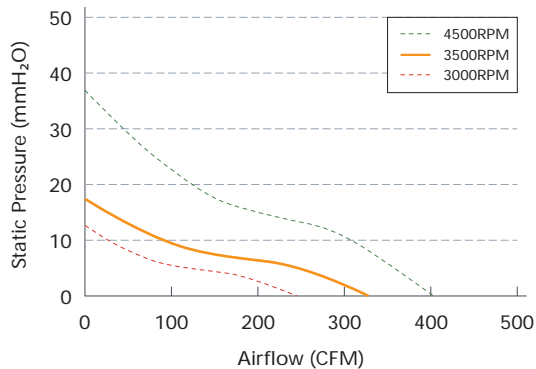


Fan Frame: Aluminum ADC-12, Painted Black
 Fan Impeller: Thermoplastic PBT UL 94V-0
 Bearing system: Ball bearing
 Operation Temp: -30~70°C
 Service Life: 70000hours @40°C
 Weight: 655g

Engineering Drawing (mm)



Air Performance



Available Functions

Motor protection

RP	SS	AS	CL	OVP
<input type="radio"/>	<input type="radio"/>	<input checked="" type="radio"/>	<input type="radio"/>	<input type="radio"/>

Signal output

FG	RD	RDB	LD
<input checked="" type="radio"/>	<input checked="" type="radio"/>	<input type="radio"/>	<input type="radio"/>

Speed control mode

PWM	TC	VC	CC	CS
<input checked="" type="radio"/>	<input type="radio"/>	<input type="radio"/>	<input type="radio"/>	<input type="radio"/>

Specifications

Model	Voltage	Voltage Range	Freq.	Power	Speed	Maximum Air Flow	Maximum Air Pressure	Noise		
No.	VAC	VAC	Hz	W	RPM	m ³ /min	CFM	mmH ₂ O	INH ₂ O	dB(A)
GE17250M110	110	100/125	50/60	25	3500	7.29	257.52	19.60	0.77	60.4
GE17250M220	220	200/240	50/60	25						

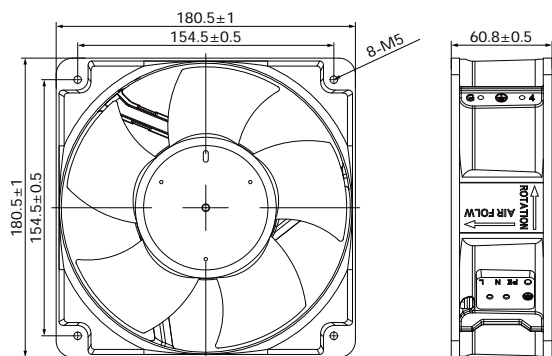


GE18060 Series

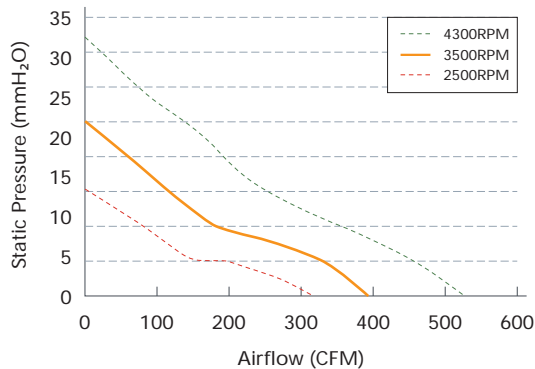
180x180x60mm (7"x7"x2.4")

Fan Frame: Aluminum ADC-12, Painted Black
 Fan Impeller: Thermoplastic PBT UL 94V-0
 Bearing system: Ball bearing
 Operation Temp: -30~70°C
 Service Life: 70000hours @40°C
 Weight: 925g

Engineering Drawing (mm)



Air Performance



Available Functions

Motor protection

RP	SS	AS	CL	OVP
<input type="radio"/>	<input type="radio"/>	<input checked="" type="radio"/>	<input type="radio"/>	<input type="radio"/>

Signal output

FG	RD	RDB	LD
<input checked="" type="radio"/>	<input checked="" type="radio"/>	<input type="radio"/>	<input type="radio"/>

Speed control mode

PWM	TC	VC	CC	CS
<input checked="" type="radio"/>	<input type="radio"/>	<input type="radio"/>	<input type="radio"/>	<input type="radio"/>

Specifications

Model	Voltage	Voltage Range	Freq.	Power	Speed	Maximum Air Flow	Maximum Air Pressure	Noise		
No.	VAC	VAC	Hz	W	RPM	m ³ /min	CFM	mmH ₂ O	INH ₂ O	dB(A)
GE18060M110	110	100/125	50/60	40	3500	11.09	392.03	21.71	0.85	64.9
GE18060M220	220	200/240	50/60	40						

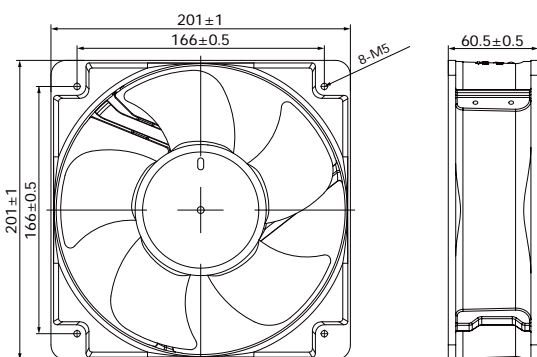
GE20060 Series

200x200x60mm (7.9"x7.9"x2.4")

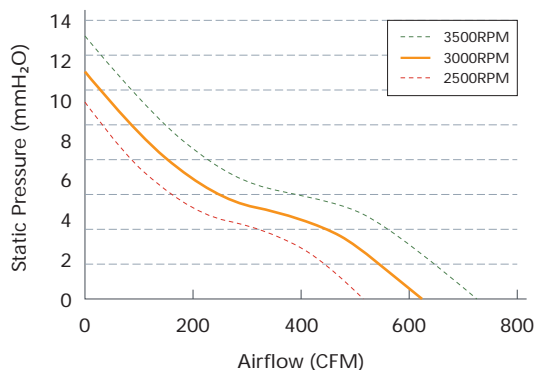


Fan Frame: Aluminum ADC-12, Painted Black
 Fan Impeller: Thermoplastic PBT UL 94V-0
 Bearing system: Ball bearing
 Operation Temp: -30~70°C
 Service Life: 70000hours @40°C
 Weight: 1038g

Engineering Drawing (mm)



Air Performance



Available Functions

Motor protection

RP	SS	AS	CL	OVP
<input type="radio"/>	<input type="radio"/>	<input checked="" type="radio"/>	<input type="radio"/>	<input type="radio"/>

Signal output

FG	RD	RDB	LD
<input checked="" type="radio"/>	<input checked="" type="radio"/>	<input type="radio"/>	<input type="radio"/>

Speed control mode

PWM	TC	VC	CC	CS
<input checked="" type="radio"/>	<input type="radio"/>	<input type="radio"/>	<input type="radio"/>	<input type="radio"/>

Specifications

Model	Voltage	Voltage Range	Freq.	Power	Speed	Maximum Air Flow	Maximum Air Pressure	Noise		
No.	VAC	VAC	Hz	W	RPM	m ³ /min	CFM	mmH ₂ O	IN _H 2O	dB(A)
GE20060M110	110	100/125	50/60	40	3000	14.67	518.41	18.24	0.72	62.9
GE20060M220	220	200/240	50/60	40						

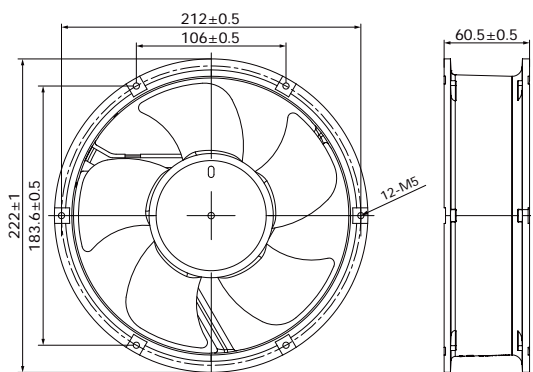
GE22060 Series

Ø220x60mm (Ø8.7"x2.4")

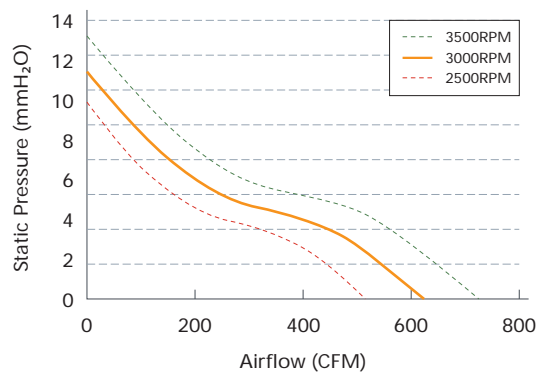


Fan Frame: Aluminum ADC-12, Painted Black
 Fan Impeller: Thermoplastic PBT UL 94V-0
 Bearing system: Ball bearing
 Operation Temp: -30~70°C
 Service Life: 70000hours @40°C
 Weight: 1038g

Engineering Drawing (mm)



Air Performance



Available Functions

Motor protection

RP	SS	AS	CL	OVP
<input type="radio"/>	<input type="radio"/>	<input checked="" type="radio"/>	<input type="radio"/>	<input type="radio"/>

Signal output

FG	RD	RDB	LD
<input checked="" type="radio"/>	<input checked="" type="radio"/>	<input type="radio"/>	<input type="radio"/>

Speed control mode

PWM	TC	VC	CC	CS
<input checked="" type="radio"/>	<input type="radio"/>	<input type="radio"/>	<input type="radio"/>	<input type="radio"/>

Specifications

Model	Voltage	Voltage Range	Freq.	Power	Speed	Maximum Air Flow	Maximum Air Pressure	Noise		
No.	VAC	VAC	Hz	W	RPM	m ³ /min	CFM	mmH ₂ O	INH ₂ O	dB(A)
GE22060M110	110	100/125	50/60	40	3000	14.67	518.41	18.24	0.72	62.9
GE22060M220	220	200/240	50/60	40						



Guangzhou Guanxie Fan Manufacturing Co.,Ltd.

Add: Building 4, No.7 Lanhua Street, Dagang Industrial Zone,
Baiyunhu Street, Baiyun District, Guangzhou, China.

Mob: +86 183 1666 5997

Tel: +86 020-36678158

Fax: +86 020-83377440

E-mail: info@acdcefan.com.cn

Web: www.acdcefan.com

www.acdcfan.com.cn



Area Systems Srl

Via San Marco 10

30030 Tombelle di Vigonovo VE

P. Iva/C.F. 04952870287

Tel: +39 0497960705

email: info@areasytems.it

www.areasytems.it